

Esmeralda “730” **



BUILDING INSTRUCTION

This model is Copyright protected.
All Copyrights to the designs of this
version of the Esmeralda belongs to
Billing Boats Denmark Aps



GB

The ship is the sixth to carry the name Esmeralda. The first was the frigate Esmeralda captured from the Spanish at Callao, Peru, by Admiral Lord Thomas Alexander Cochrane of the Chilean Navy, in a bold incursion on the night of 5 November 1820. The second was the corvette Esmeralda of the Chilean Navy which, set against superior forces, fought until sunk with colors flying on 21 May 1879 at the Battle of Iquique. These events mark important milestones for the Chilean Navy and the ship's name is said to evoke its values of courage and sacrifice.

Construction began in Cádiz, Spain, in 1946. She was intended to become Spain's national training ship. During her construction in 1947 the yard in which she was being built suffered catastrophic explosions, which damaged the ship and placed the yard on the brink of bankruptcy. Work on the ship was temporarily halted. In 1950 Chile and Spain entered into negotiations in which Spain offered to repay debts incurred to Chile as a result of the Spanish Civil War in the form of manufactured products, including the not yet completed Esmeralda. Chile accepted the offer and the ship was formally transferred to the ownership of Chile in 1951. Work then continued on the ship. She was finally launched on 12 May 1953 before an audience of 5,000 people. She was christened by Mrs. Raquel Vicuña de Orrego using a bottle wrapped in the national colors of Spain and Chile. She was delivered as a four-masted topsail schooner to the Government of Chile on 15 June 1954, Captain Horacio Cornejo Tagle in command.

Her sister ship is the training ship for the Spanish Navy, the four-masted topsail schooner Juan Sebastián Elcano. Sometime in the 1970s Esmeralda's rigging was changed to a four-masted barquentine by replacing the fore gaffsail (course sail) by two main staysails. The third (top) main staysail is still in place. She has now five staysails, three topsails, six jibbs, three course gaff sails, four square sails, 21 all in all.

E

El buque escuela Esmeralda es un buque de instrucción de la Armada de Chile de fabricación española. Es el sexto buque chileno bajo el nombre Esmeralda. Actualmente es el segundo velero más grande del mundo (considerando la altura y la longitud), junto con su gemelo perteneciente a la Armada Española, el Juan Sebastián Elcano.

Su nombre honra tanto a la fragata Esmeralda —navío de la escuadra española capturado en El Callao la noche del 5 de noviembre de 1820, por el almirante Lord Thomas Alexander Cochrane— como a la corbeta Esmeralda —navío al mando del comandante Arturo Prat Chacón, muerto gloriosamente en el Combate Naval de Iquique.

Los oficiales egresados de la Escuela Naval Arturo Prat y las 70 primeras antigüedades del Personal de Mar egresados de la Escuela de Grumetes Alejandro Navarrete Cisterna realizan el Crucero de Instrucción a bordo del buque escuela por el plazo de un año.

En 1946, España ordenó a los astilleros Echavarrieta y Larrinaga de Cádiz, siguiendo los planos desarrollados por el ingeniero Juan Antonio y Arias, la construcción de una embarcación gemela del Buque Escuela Juan Sebastián Elcano, como reemplazo del segundo buque escuela de la Armada Española, el Galatea. Este nuevo barco llevaría el nombre de Buque Escuela Juan de Austria.

El 18 de agosto de 1947 los astilleros y Larrinaga fueron destruidos tras la explosión de la Base de Defensas Submarinas de España. El Gobierno de España, en forma de ayuda, se hizo cargo de las deudas acarreadas por la explosión y creó la Sociedad de Astilleros de Cádiz S.A., dependientes de la Empresa Nacional Bazán El trabajo sobre el barco quedó temporalmente detenido. En 1950 Chile y España entraron en negociaciones para saldar las deudas contraídas con Chile como consecuencia de la Guerra Civil Española. Chile aceptó el barco inacabado como parte del pago y, en 1951, los trabajos se reanudaron.

El 12 de mayo de 1953 se realizó la botadura desde las gradas de la Sociedad de Astilleros de Cádiz S.A. y el posterior bautizo de la nave. Raquel Vicuña de Orrego, esposa de Fernando Orrego Vicuña (Encargado de Negocios de Chile), ofició de madrina en la ceremonia en que el buque fue bendecido por el obispo Tomás Gutiérrez .

El buque fue entregado al Gobierno chileno, el 15 de junio de 1954. Hizo el recibimiento el embajador de Chile en España, Oscar Salas Letelier.

Table contents for "Esmeralda" Art. No. 730

Pcs.	No.	Dimension	Material	DK	GB	D	F
1	1	4mm x-veneér	3284L	Køl	Keel	Kiel	Quille
1	2	4mm x-veneér	3285L	Køl	Keel	Kiel	Quille
1	3	4mm x-veneér	3284L	Køl	Keel	Kiel	Quille
1	4	4mm x-veneér	3284L	Spant	Frame	Spant	Couples
1	5	4mm x-veneér	3285L	Spant	Frame	Spant	Couples
1	6	4mm x-veneér	3285L	Spant	Frame	Spant	Couples
1	7	4mm x-veneér	3284L	Spant	Frame	Spant	Couples
1	8	4mm x-veneér	3285L	Spant	Frame	Spant	Couples
1	9	4mm x-veneér	3285L	Spant	Frame	Spant	Couples
1	10	4mm x-veneér	3285L	Spant	Frame	Spant	Couples
1	11	4mm x-veneér	3285L	Spant	Frame	Spant	Couples
1	12	4mm x-veneér	3284L	Spant	Frame	Spant	Couples
1	13	4mm x-veneér	3284L	Spant	Frame	Spant	Couples
1	14	4mm x-veneér	3284L	Spant	Frame	Spant	Couples
1	15	4mm x-veneér	3284L	Spant	Frame	Spant	Couples
1	16	4mm x-veneér	3285L	Hjælpeestykke	Auxiliary piece	Hilfsstücke	Pièce annexes
1	17	4mm x-veneér	3285L	Hjælpeestykke	Auxiliary piece	Hilfsstücke	Pièce annexes
1	18	4mm x-veneér	3285L	Hjælpeestykke	Auxiliary piece	Hilfsstücke	Pièce annexes
1	19	2mm x-veneér	3281L	Dæk	Deck	Deck	Pont
2	20	2mm x-veneér	3281L	Kahyt	Cabin	Kajüte	Cabine
1	21	2mm x-veneér	3281L	Kahyt	Cabin	Kajüte	Cabine
1	22	2mm x-veneér	3281L	Kahyt	Cabin	Kajüte	Cabine
1	23	2mm x-veneér	3281L	Skot	Bulkhead	Scott	Cloison
2	24	2mm x-veneér	3281L	Kahyt	Cabin	Kajüte	Cabine
1	25	2mm x-veneér	3281L	Kahyt	Cabin	Kajüte	Cabine
2	26	2mm x-veneér	3280L	Kahyt	Cabin	Kajüte	Cabine
2	27	2mm x-veneér	3280L	Kahyt	Cabin	Kajüte	Cabine
2	28	4mm x-veneér	3284L	Hjælpepant	Auxiliary frame	Hilfspanten	Couples
2	29	4mm x-veneér	3284L	Hjælpepant	Auxiliary frame	Hilfspanten	Couples
1	30	2mm x-veneér	3280L	Dæk	Deck	Deck	Pont
1	31	2mm x-veneér	3280L	Dæk	Deck	Deck	Pont
1	32	2mm x-veneér	3280L	Hjælpeestykke	Auxiliary piece	Hilfsstücke	Pièce annexes
2	33	2mm x-veneér	3280L	Hjælpeestykke	Auxiliary piece	Hilfsstücke	Pièce annexes
2	34	2mm x-veneér	3280L	Ræling	Railing	Reling	Bastingage
2	35	2mm x-veneér	3280L	Ræling	Railing	Reling	Bastingage
2	36	2mm x-veneér	3280L	Ræling	Railing	Reling	Bastingage

2	37	2mm x-veneér	3282L	Beklædningsliste	Plankingstrips	Beplankung	Baguettes de bordé
1	38	1mm x-veneér	3279L	Faconstykke	Formed piece	Formteil	Pièce formée
2	39	2mm x-veneér	3282L	Beklædningsliste	Plankingstrips	Beplankung	Baguettes de bordé
1	40	1mm x-veneér	3279L	Faconstykke	Formed piece	Formteil	Pièce formée
1	41	1mm x-veneér	3279L	Faconstykke	Formed piece	Formteil	Pièce formée
2	42	4mm x-veneér	3284L	Hjælpeestykke	Auxiliary piece	Hilfsstücke	Pièce annexes
2	43	4mm x-veneér	3284L	Hjælpeestykke	Auxiliary piece	Hilfsstücke	Pièce annexes
1	44	4mm x-veneér	3284L	Hjælpeestykke	Auxiliary piece	Hilfsstücke	Pièce annexes
2	45	2mm x-veneér	3282L	Beklædningsliste	Plankingstrips	Beplankung	Baguettes de bordé
2	46	2mm x-veneér	3282L	Beklædningsliste	Plankingstrips	Beplankung	Baguettes de bordé
1	47	4mm x-veneér	3284L	Ror	Rudder	Ruder	Gouvernail
1	48	4mm x-veneér	3284L	Ror	Rudder	Ruder	Gouvernail
8	49	3mm x-veneér	3283L	Liste	Strip	Leiste	Baguette
2	50	2mm x-veneér	3280L	Liste	Strip	Leiste	Baguette
2	51	1mm x-veneér	3279L	Støtte	Support	Stütze	Support
1	52	2mm x-veneér	3281L	Dæk	Deck	Deck	Pont
1	53	2mm x-veneér	3280L	Kahyt	Cabin	Kajüte	Cabine
2	54	2mm x-veneér	3280L	Kahyt	Cabin	Kajüte	Cabine
1	55	2mm x-veneér	3280L	Kahyt	Cabin	Kajüte	Cabine
2	56	1mm x-veneér	3279L	Kahyt	Cabin	Kajüte	Cabine
2	57	1mm x-veneér	3279L	Kahyt	Cabin	Kajüte	Cabine
2	58	1mm x-veneér	3279L	Kahyt	Cabin	Kajüte	Cabine
1	59	2mm x-veneér	3281L	Kahyt	Cabin	Kajüte	Cabine
2	60	1mm x-veneér	3279L	Kahyt	Cabin	Kajüte	Cabine
1	61	1mm x-veneér	3279L	Kahyt	Cabin	Kajüte	Cabine
1	62	1mm x-veneér	3279L	Kahyt	Cabin	Kajüte	Cabine
1	63	1mm x-veneér	3279L	Kahyt	Cabin	Kajüte	Cabine
2	64	1mm x-veneér	3279L	Kahyt	Cabin	Kajüte	Cabine
1	65	1mm x-veneér	3279L	Tag	Roof	Dach	Toit
1	66	1mm x-veneér	3279L	Kahyt	Cabin	Kajüte	Cabine
2	67	1mm x-veneér	3279L	Styrehus	Cabin	Steuerhaus	Cabine
2	68	1mm x-veneér	3279L	Styrehus	Cabin	Steuerhaus	Cabine
1	69	1mm x-veneér	3279L	Tag	Roof	Dach	Toit
2	70	1mm x-veneér	3279L	Ræling	Rail	Reling	Plat bord
2	71	1mm x-veneér	3279L	Ræling	Rail	Reling	Plat bord
2	72	1mm x-veneér	3279L	Ræling	Rail	Reling	Plat bord
2	73	2mm x-veneér	3281L	Støtte	Support	Stütze	Support
4	74	5mm x-veneér	3286L	Skylight	Skylight	Oberlicht	Claire voie

2	75	4mm x-veneér	3284L	Skylight	Skylight	Oberlicht	Claire voie
4	76	1mm x-veneér	3279L	Skylight	Skylight	Oberlicht	Claire voie
8	77	5mm x-veneér	3286L	Skylight	Skylight	Oberlicht	Claire voie
6	78	1mm x-veneér	3279L	Skylight	Skylight	Oberlicht	Claire voie
11	79	4mm x-veneér	3285L	Skylight	Skylight	Oberlicht	Claire voie
2	80	2mm x-veneér	3281L	Skylight	Skylight	Oberlicht	Claire voie
6	81	4mm x-veneér	3285L	Skylight	Skylight	Oberlicht	Claire voie
8	82	1mm x-veneér	3279L	Skylight	Skylight	Oberlicht	Claire voie
4	83	1mm x-veneér	3279L	Skylight	Skylight	Oberlicht	Claire voie
2	84	1mm x-veneér	3279L	Skylight	Skylight	Oberlicht	Claire voie
2	85	5mm x-veneér	3286L	Skylight	Skylight	Oberlicht	Claire voie
1	86	1mm x-veneér	3279L	Skylight	Skylight	Oberlicht	Claire voie
4	87	1mm x-veneér	3279L	Skylight	Skylight	Oberlicht	Claire voie
1	88	4mm x-veneér	3284L	Skylight	Skylight	Oberlicht	Claire voie
9	89	4mm x-veneér	3285L	Skylight	Skylight	Oberlicht	Claire voie
6	90	5mm x-veneér	3286L	Skylight	Skylight	Oberlicht	Claire voie
6	91	1mm x-veneér	3279L	Skylight	Skylight	Oberlicht	Claire voie
2	92	1mm x-veneér	3279L	Skylight	Skylight	Oberlicht	Claire voie
1	93	3mm x-veneér	3283L	Skylight	Skylight	Oberlicht	Claire voie
1	94	1mm x-veneér	3279L	Skylight	Skylight	Oberlicht	Claire voie
2	95	1mm x-veneér	3279L	Skylight	Skylight	Oberlicht	Claire voie
1	96	4mm x-veneér	3284L	Skylight	Skylight	Oberlicht	Claire voie
1	97	1mm x-veneér	3279L	Skylight	Skylight	Oberlicht	Claire voie
14	98	4mm x-veneér	3285L	Skylight	Skylight	Oberlicht	Claire voie
4	99	1mm x-veneér	3279L	Skylight	Skylight	Oberlicht	Claire voie
4	100	1mm x-veneér	3279L	Skylight	Skylight	Oberlicht	Claire voie
2	101	1mm x-veneér	3279L	Skylight	Skylight	Oberlicht	Claire voie
1	102	1mm x-veneér	3279L	Faconstykke	Formed piece	Formteil	Pièce formée
1	103	4mm x-veneér	3285L	Luge	Hatch	Luke	Ecoutilles
1	104	1mm x-veneér	3279L	Skylight	Skylight	Oberlicht	Claire voie
1	105	2mm x-veneér	3281L	Ankerspil	Anchor winch	Ankerspill	Treuil d'ancre
4	106	1mm x-veneér	3279L	Ankerspil	Anchor winch	Ankerspill	Treuil d'ancre
4	107	5mm x-veneér	3286L	Spil	Winch	Winde	Treuil
4	108	2mm x-veneér	3280L	Spil	Winch	Winde	Treuil
4	109	2mm x-veneér	3280L	David	Davit	Davit	Bossoir
4	110	1mm x-veneér	3279L	Kofilnaglebænk	Belaying pin bench	Belegnägelbank	Ratelier de cordage
4	111	1mm x-veneér	3279L	Kofilnaglebænk	Belaying pin bench	Belegnägelbank	Ratelier de cordage
5	112	1mm x-veneér	3279L	Kofilnaglebænk	Belaying pin bench	Belegnägelbank	Ratelier de cordage

21	113	1mm x-veneér	3279L	Kahytsdør	Cabin door	Kajüentür	Porte de cabine
26	114	1mm x-veneér	3279L	Redningsflåde fod	Liferaft base	Rettungsinsel fuss	Radeau de sauvetage, pied
8	115	1mm x-veneér	3279L	Lejder	Ladder	Leiter	Echelle
5	116	1mm x-veneér	3279L	Lejder	Ladder	Leiter	Echelle
10	117	2mm x-veneér	3281L	Gangbro	Gangway	Laufplanken	Passavant
8	118	1mm x-veneér	3279L	Pullert-fundament	Bollard base	Pollerunterlage	Bitte d'amarrage
4	119	2mm x-veneér	3280L	Kanon	Canon	Geschütze	Canon
4	120	3mm x-veneér	3283L	Kanon	Canon	Geschütze	Canon
6	121	1mm x-veneér	3279L	Luge	Hatch	Luke	Ecoutilles
4	122	2mm x-veneér	3281L	Mærs	Top	Mars	Hune
8	123	2mm x-veneér	3280L	Mærs	Top	Mars	Hune
3	124	2mm x-veneér	3280L	Bomgaffel	Boom fork	Boom Gabel	Fourche Boom
2	125	1mm x-veneér	3279L	Redningsbåd	Life-Boat	Rettungsboot	Chaloupe ponte
2	126	1mm x-veneér	3279L	Bedding	Slip	Helling	Cale de construction
2	127	1mm x-veneér	3279L	Bedding	Slip	Helling	Cale de construction
2	128	1mm x-veneér	3279L	Konsol	Bracket	Halter	Console
4	129	1mm x-veneér	3279L	Redningsbåd	Life-Boat	Rettungsboot	Chaloupe ponte
4	130	2mm x-veneér	3281L	Mastbeslag	Mast fittings	Mastbeschlåge	Garniture de mât
1	131	4mm x-veneér	3284L	Bedding	Slip	Helling	Cale de construction
1	132	4mm x-veneér	3284L	Bedding	Slip	Helling	Cale de construction
1	133	4mm x-veneér	3285L	Bedding	Slip	Helling	Cale de construction
1	134	4mm x-veneér	3285L	Bedding	Slip	Helling	Cale de construction
1	135	1mm x-veneér	3279L	Bomhviler	Boom crutch	Baumstütze	Support de bóme
10	136	0,7x1x550mm	Annegre	Fenderliste	Rubbing strake	Fenderleisten	Pré-ceinte
1	137	0,7x2x550mm	Mahogani	Liste	Strip	Leisten	Baguette
100	138	0,7x2x550mm	Annegre	Liste	Strip	Leisten	Baguette
4	139	1,8x2x550mm	Abachi	Liste	Strip	Leisten	Baguette
45	140	1,8x7x740mm	Abachi	Liste	Strip	Leisten	Baguette
1	141	ø6x60mm	Pine	Rundstok	Round stick	Rundstab	Baguette ronde
4	MS1+MS2+MS3	ø8x330mm	Pine	Rundstok	Round stick	Rundstab	Baguette ronde
7	MS4+MS5+BM1+R1	ø5x250mm	Pine	Rundstok	Round stick	Rundstab	Baguette ronde
2	BM2+BM3	ø5x160mm	Pine	Rundstok	Round stick	Rundstab	Baguette ronde
1	R2	ø4x225mm	Pine	Rundstok	Round stick	Rundstab	Baguette ronde
4	BM4+R3	ø4x180mm	Pine	Rundstok	Round stick	Rundstab	Baguette ronde
1	R4	ø3x120mm	Pine	Rundstok	Round stick	Rundstab	Baguette ronde
1		60x200mm		Net	Net	Netz	Filet
1		A4		Byggevejledning	Building instruction	Bauanleitung	Instr.de montage
1		A3		Masttegninger	Mast Drawings	Mast Zeichnungen	Mât Dessins

1		TR 126		Transfer	Transfer	Abziehbild	Decals
1		50-50105		Tegning	Plan	Zeichnung	Plan
1				Sejl	Sailcloth	Segelstoff	Tissu de voile
3	F22a	ø0,5mm	Copper	Kobbertråd	Copperthread	Kupferdraht	Fils de cuivre
1	F35	ø3x61mm	Brass	Flagstang	Flaggstaff	Fahnenmast	Hampre
2	F37	30mm	Plastic	Anker	Anchor	Anker	Ancre
6	F39	ø1x250mm	Brass	Messingtråd	Brasswire	Messingdraht	Fils de laiton
1	F45	ø30x9mm	Plastic	Skibsskrue	Propeller	Schiffsschraube	Hélice
112	F54	ø1,6x8mm	Brass	Kofilnagle	Belaying pin	Belegnägel	Cabillots
1	F56	ø5x5,5mm	Brass	Klokke	Bell	Glocke	Cloche
2	F60	20mm	Plastic	Ventil	Vent	Lüfter	Manche luchtkoker
2	F63	ø5x2,25mm	Brass	Kobling	Coupling	Kupplung	Embrayage
1	F70	50 m		Rigningstråd	Rigging thread	Takegarn	Fil de gréement
1	F71	60 m		Rigningstråd	Rigging thread	Takegarn	Fil de gréement
1	F72	20 m		Rigningstråd	Rigging thread	Takegarn	Fil de gréement
1	F76	140mm	Brass	Ankerkæde	Anchorchain	Ankerkette	Chaîne d'Ancre
2	F 103	ø6x5mm	Brass	Ankerklyds	Anchor fairlead	Ankerklüse	Ecubier de l'ancre
1	F105	ø4x4,5mm	Brass	Bøsning	Bush	Buchse	Baque
6	F136	12x12mm	Plastic	Redningsbælte	Lifebelts	Rettungsringe	Bouée
131	F145	14mm	Brass	Gelænderstøtte	Railstanchion	Relingsstützen	Chandeliers
4	F158	ø8mm	Brass	Kapstan	Capstan	Kapstan	Cabestan
2	F168	78x15x26mm	Plastic	Redningsbåd	Lifeboat	Rettungsboot	Canot de sauvetage
6	F193	10x2,5mm	Plastic	Klyds	Fairlead	Klüsen	Ecubiérs
1	F196	ø8x14mm	Brass	Motor	Engine	Motor	Moteur
2	F220	ø8x19,5mm	Brass	Lanterne	Lights	Lanternen	Feux de navigation
30	F227	ø10,6x0,8mm	Plastic	Sejlring	Sailhoop	Segelringe	Cercel de voiles
4	F233	93x20x32mm	Plastic	Redningsbåd	Lifeboat	Rettungsboot	Canot de sauvetage
16	F317	ø4x2mm	Brass	Køje	Portlight	Bullaugen	Hublot
1	F327	40mm	Brass	Kæde	Chain	Kette	Chaîne
8	F348	9mm	Plastic	Klampe	Cleats	Klampen	Taquets
4	F378	ø4x1,5mm	Brass	Koniske skive	Conical Disk	Konische Scheibe	Disque conique
1	F409	ø1,5x125mm	Brass	Messingtråd	Brasswire	Messingdraht	Fil de laiton
4	F482	11,5mm	Brass	Motor	Engine	Motor	Moteur
30	F488	ø3mm	Wood	Perle	Pearls	Perlen	Perle
2	F498	11x22mm	Brass	Mastbeslag	Mast-fittings	Mastbeschlag	Garniture de mat
2	F499	ø3x8,5mm	Brass	Mastbeslag	Mast-fittings	Mastbeschlag	Garniture de mat
1	F501	ø4x3mm	Brass	Mastring	Mast hoop	Mastringe	Cercle de mât
1	F502	ø5x3mm	Brass	Mastring	Mast hoop	Mastringe	Cercle de mât

8	F511	ø2,5x55mm	Brass	David	Davit	Davit	Bossoir
8	F537	25mm	Brass	Røstjern	Chain plate	Rüsteisen	Cadene
1	F539	40mm	Brass	Røstjern	Chain plate	Rüsteisen	Cadene
16	F577	ø3x3,5mm	Brass	Pullert	Bollard	Poller	Bitte d'amarrage
2	F605	ø8x6mm	Brass	Rulle	Reel	Rolle	Poulie
2	F634	ø9mm	Brass	Kooje	Porthole	Bullaugen	Hublot
2	F644	ø13mm	Plastic	Håndhjul	Handwheel	Handrad	Poignée
1	F645	ø8x2,5mm	Brass	Tandhjul	Gear wheel	Zahnrad	Roue dentée
8	F663	ø0,8x250mm	Brass	Messingtråd	Brasswire	Messingdraht	Fil de laiton
186	F664	11mm	Copper	Øjebolt	Eye bolt	Augenbolzen	Pitons
6	F667	ø6mm	Brass	Spilkop	Warping drum	Spillkopf	Poupée
116	F697	5mm	Wood	Enkelt blok	Single blocks	Einzel, block	Poulies simple
24	F698	5mm	Wood	Dobbelt blok	Double blocks	Doppel, block	Poulies doubles
1	F717	22mm	Brass	Bøjle	Yoke	Bügel	Potence
1	F726	ø10x3mm	Brass	Tandhjul	Gear wheel	Zahnrad	Roue dentée
56	F743	9mm	Brass	Øjebolt	Eye bolt	Augenbolzen	Pitons
1	F796	ø5x8mm	Brass	Fod	Foot	Fuß	Pied
78	F824	ø2x14mm	Brass	Vantskruer	Turnshouds	Wantenschrauben	Ridoirs
1	F 920	ø21mm	Brass	Rat	Wheel	Steurrad	Roue
13	F 996	ø7,75x13,5mm	Brass	Redningsflåde	Life raft	Rettungsinsel	Radeau de savetage
1	F 997		Brass	Galionsfigur	Figurehead	Gallionsfigur	Figure de proue

Table contents for "Esmeralda" Art. No. 730

Pcs.	No.	Dimension	Material	NL	E	I	P
1	1	4mm x-veneér	3284L	Kiel	Quilla	Chiglia	Quilha
1	2	4mm x-veneér	3285L	Kiel	Quilla	Chiglia	Quilha
1	3	4mm x-veneér	3284L	Kiel	Quilla	Chiglia	Quilha
1	4	4mm x-veneér	3284L	Spant	Cuaderna	Ordinata	Armação
1	5	4mm x-veneér	3285L	Spant	Cuaderna	Ordinata	Armação
1	6	4mm x-veneér	3285L	Spant	Cuaderna	Ordinata	Armação
1	7	4mm x-veneér	3284L	Spant	Cuaderna	Ordinata	Armação
1	8	4mm x-veneér	3285L	Spant	Cuaderna	Ordinata	Armação
1	9	4mm x-veneér	3285L	Spant	Cuaderna	Ordinata	Armação
1	10	4mm x-veneér	3285L	Spant	Cuaderna	Ordinata	Armação
1	11	4mm x-veneér	3285L	Spant	Cuaderna	Ordinata	Armação
1	12	4mm x-veneér	3284L	Spant	Cuaderna	Ordinata	Armação
1	13	4mm x-veneér	3284L	Spant	Cuaderna	Ordinata	Armação
1	14	4mm x-veneér	3284L	Spant	Cuaderna	Ordinata	Armação

1	15	4mm x-veneér	3284L	Spant	Cuaderna	Ordinata	Armação
1	16	4mm x-veneér	3285L	Vulstukken	Trozo de ayuda	Pezzo ausiliario	Peças auxiliares
1	17	4mm x-veneér	3285L	Vulstukken	Trozo de ayuda	Pezzo ausiliario	Peças auxiliares
1	18	4mm x-veneér	3285L	Vulstukken	Trozo de ayuda	Pezzo ausiliario	Peças auxiliares
1	19	2mm x-veneér	3281L	Dek	Cubierta	Ponte	Convés
2	20	2mm x-veneér	3281L	Kajuit	Camarote	Cabina	Lateral da cabine do timão
1	21	2mm x-veneér	3281L	Kajuit	Camarote	Cabina	Lateral da cabine do timão
1	22	2mm x-veneér	3281L	Kajuit	Camarote	Cabina	Lateral da cabine do timão
1	23	2mm x-veneér	3281L	Schot	Camarote	Paratia	Intermediária
2	24	2mm x-veneér	3281L	Kajuit	Camarote	Cabina	Lateral da cabine do timão
1	25	2mm x-veneér	3281L	Kajuit	Camarote	Cabina	Lateral da cabine do timão
2	26	2mm x-veneér	3280L	Kajuit	Camarote	Cabina	Lateral da cabine do timão
2	27	2mm x-veneér	3280L	Kajuit	Camarote	Cabina	Lateral da cabine do timão
2	28	4mm x-veneér	3284L	Spanten	Cuaderna	Ordinata	Armação
2	29	4mm x-veneér	3284L	Spanten	Cuaderna	Ordinata	Armação
1	30	2mm x-veneér	3280L	Dek	Cubierta	Ponte	Convés
1	31	2mm x-veneér	3280L	Dek	Cubierta	Ponte	Convés
1	32	2mm x-veneér	3280L	Vulstukken	Trozo de ayuda	Pezzo ausiliario	Peças auxiliares
2	33	2mm x-veneér	3280L	Vulstukken	Trozo de ayuda	Pezzo ausiliario	Peças auxiliares
2	34	2mm x-veneér	3280L	Deksel	Barrandilla	Parapetto	Amurada
2	35	2mm x-veneér	3280L	Deksel	Barrandilla	Parapetto	Amurada
2	36	2mm x-veneér	3280L	Deksel	Barrandilla	Parapetto	Amurada
2	37	2mm x-veneér	3282L	Rompbekleding	Listónes de forro	Listelli fasciame	Tiras
1	38	1mm x-veneér	3279L	Gevormd deel	Plantilla	Pezzo prefabbricato	Amurada de popa
2	39	2mm x-veneér	3282L	Rompbekleding	Listónes de forro	Listelli fasciame	Tiras
1	40	1mm x-veneér	3279L	Gevormd deel	Plantilla	Pezzo prefabbricato	Amurada de popa
1	41	1mm x-veneér	3279L	Gevormd deel	Plantilla	Pezzo prefabbricato	Amurada de popa
2	42	4mm x-veneér	3284L	Vulstukken	Trozo de ayuda	Pezzo ausiliario	Peças auxiliares
2	43	4mm x-veneér	3284L	Vulstukken	Trozo de ayuda	Pezzo ausiliario	Peças auxiliares
1	44	4mm x-veneér	3284L	Vulstukken	Trozo de ayuda	Pezzo ausiliario	Peças auxiliares
2	45	2mm x-veneér	3282L	Rompbekleding	Listónes de forro	Listelli fasciame	Tiras
2	46	2mm x-veneér	3282L	Rompbekleding	Listónes de forro	Listelli fasciame	Tiras
1	47	4mm x-veneér	3284L	Roer	Timón	Timone	Leme
1	48	4mm x-veneér	3284L	Roer	Timón	Timone	Leme
8	49	3mm x-veneér	3283L	Strip	Liston	Listello	Tira
2	50	2mm x-veneér	3280L	Strip	Liston	Listello	Tira
2	51	1mm x-veneér	3279L	Steun	Soporto	Supporto	Suporte
1	52	2mm x-veneér	3281L	Dek	Cubierta	Ponte	Convés


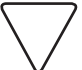
1	53	2mm x-veneér	3280L	Kajuit	Camarote	Cabina	Lateral da cabine do timão
2	54	2mm x-veneér	3280L	Kajuit	Camarote	Cabina	Lateral da cabine do timão
1	55	2mm x-veneér	3280L	Kajuit	Camarote	Cabina	Lateral da cabine do timão
2	56	1mm x-veneér	3279L	Kajuit	Camarote	Cabina	Lateral da cabine do timão
2	57	1mm x-veneér	3279L	Kajuit	Camarote	Cabina	Lateral da cabine do timão
2	58	1mm x-veneér	3279L	Kajuit	Camarote	Cabina	Lateral da cabine do timão
1	59	2mm x-veneér	3281L	Kajuit	Camarote	Cabina	Lateral da cabine do timão
2	60	1mm x-veneér	3279L	Kajuit	Camarote	Cabina	Lateral da cabine do timão
1	61	1mm x-veneér	3279L	Kajuit	Camarote	Cabina	Lateral da cabine do timão
1	62	1mm x-veneér	3279L	Kajuit	Camarote	Cabina	Lateral da cabine do timão
1	63	1mm x-veneér	3279L	Kajuit	Camarote	Cabina	Lateral da cabine do timão
2	64	1mm x-veneér	3279L	Kajuit	Camarote	Cabina	Lateral da cabine do timão
1	65	1mm x-veneér	3279L	Dak	Teco	Tetto	Teto
1	66	1mm x-veneér	3279L	Kajuit	Camarote	Cabina	Lateral da cabine do timão
2	67	1mm x-veneér	3279L	Stuurhuis	Garita del timonel	Cabina di pilotaggio	Cabine
2	68	1mm x-veneér	3279L	Stuurhuis	Garita del timonel	Cabina di pilotaggio	Cabine
1	69	1mm x-veneér	3279L	Dak	Teco	Tetto	Teto
2	70	1mm x-veneér	3279L	Reling	Borda	Parapetto	Amurada
2	71	1mm x-veneér	3279L	Reling	Borda	Parapetto	Amurada
2	72	1mm x-veneér	3279L	Reling	Borda	Parapetto	Amurada
2	73	2mm x-veneér	3281L	Steun	Soporto	Supporto	Suporte
4	74	5mm x-veneér	3286L	Bovenlicht	Lumbrera	Osteriggio	Clarabóia
2	75	4mm x-veneér	3284L	Bovenlicht	Lumbrera	Osteriggio	Clarabóia
4	76	1mm x-veneér	3279L	Bovenlicht	Lumbrera	Osteriggio	Clarabóia
8	77	5mm x-veneér	3286L	Bovenlicht	Lumbrera	Osteriggio	Clarabóia
6	78	1mm x-veneér	3279L	Bovenlicht	Lumbrera	Osteriggio	Clarabóia
11	79	4mm x-veneér	3285L	Bovenlicht	Lumbrera	Osteriggio	Clarabóia
2	80	2mm x-veneér	3281L	Bovenlicht	Lumbrera	Osteriggio	Clarabóia
6	81	4mm x-veneér	3285L	Bovenlicht	Lumbrera	Osteriggio	Clarabóia
8	82	1mm x-veneér	3279L	Bovenlicht	Lumbrera	Osteriggio	Clarabóia
4	83	1mm x-veneér	3279L	Bovenlicht	Lumbrera	Osteriggio	Clarabóia
2	84	1mm x-veneér	3279L	Bovenlicht	Lumbrera	Osteriggio	Clarabóia
2	85	5mm x-veneér	3286L	Bovenlicht	Lumbrera	Osteriggio	Clarabóia
1	86	1mm x-veneér	3279L	Bovenlicht	Lumbrera	Osteriggio	Clarabóia
4	87	1mm x-veneér	3279L	Bovenlicht	Lumbrera	Osteriggio	Clarabóia
1	88	4mm x-veneér	3284L	Bovenlicht	Lumbrera	Osteriggio	Clarabóia
9	89	4mm x-veneér	3285L	Bovenlicht	Lumbrera	Osteriggio	Clarabóia
6	90	5mm x-veneér	3286L	Bovenlicht	Lumbrera	Osteriggio	Clarabóia


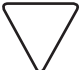
6	91	1mm x-veneér	3279L	Bovenlicht	Lumbrera	Osteriggio	Clarabóia
2	92	1mm x-veneér	3279L	Bovenlicht	Lumbrera	Osteriggio	Clarabóia
1	93	3mm x-veneér	3283L	Bovenlicht	Lumbrera	Osteriggio	Clarabóia
1	94	1mm x-veneér	3279L	Bovenlicht	Lumbrera	Osteriggio	Clarabóia
2	95	1mm x-veneér	3279L	Bovenlicht	Lumbrera	Osteriggio	Clarabóia
1	96	4mm x-veneér	3284L	Bovenlicht	Lumbrera	Osteriggio	Clarabóia
1	97	1mm x-veneér	3279L	Bovenlicht	Lumbrera	Osteriggio	Clarabóia
14	98	4mm x-veneér	3285L	Bovenlicht	Lumbrera	Osteriggio	Clarabóia
4	99	1mm x-veneér	3279L	Bovenlicht	Lumbrera	Osteriggio	Clarabóia
4	100	1mm x-veneér	3279L	Bovenlicht	Lumbrera	Osteriggio	Clarabóia
2	101	1mm x-veneér	3279L	Bovenlicht	Lumbrera	Osteriggio	Clarabóia
1	102	1mm x-veneér	3279L	Gevormd deel	Plantilla	Pezzo prefabbricato	Amurada de popa
1	103	4mm x-veneér	3285L	Luikdeel	Escotilla	Boccaporto	Escotilha
1	104	1mm x-veneér	3279L	Bovenlicht	Lumbrera	Osteriggio	Clarabóia
1	105	2mm x-veneér	3281L	Ankerwinch	Chigre de ancla	Argano dell'ancora	Guincho da âncora
4	106	1mm x-veneér	3279L	Ankerwinch	Chigre de ancla	Argano dell'ancora	Guincho da âncora
4	107	5mm x-veneér	3286L	Winch	Chigre	Verricello	Guincho
4	108	2mm x-veneér	3280L	Winch	Chigre	Verricello	Guincho
4	109	2mm x-veneér	3280L	Davit	Pescante	Buttafuori	Serviola
4	110	1mm x-veneér	3279L	Nagelbank	Caballetes	Cavaletto	Assento de amarração
4	111	1mm x-veneér	3279L	Nagelbank	Caballetes	Cavaletto	Assento de amarração
5	112	1mm x-veneér	3279L	Nagelbank	Caballetes	Cavaletto	Assento de amarração
21	113	1mm x-veneér	3279L	Kajuitdeur	Puerta de camarote	Portella di cabina	Porta da Cabine
26	114	1mm x-veneér	3279L	Console, reddingsvlot	Balsa salvavida, soporto	Zatterea di salvataggio, sup.	Bote Salva-vidas, soporto
8	115	1mm x-veneér	3279L	Ladder	Escala	Scaletta	Escada
5	116	1mm x-veneér	3279L	Ladder	Escala	Scaletta	Escada
10	117	2mm x-veneér	3281L	Gangboord	Pasarela	Passerella	Ponte de passagem
8	118	1mm x-veneér	3279L	Bolder-fundament	Bitones-placa de fondo	Base del bitta	Poste de amarração/base
4	119	2mm x-veneér	3280L	Kanon	Cañón	Cannone	Canhão
4	120	3mm x-veneér	3283L	Kanon	Cañón	Cannone	Canhão
6	121	1mm x-veneér	3279L	Luikdeel	Escotilla	Boccaporto	Escotilha
4	122	2mm x-veneér	3281L	Wangen	Verga	Coffa	Topo
8	123	2mm x-veneér	3280L	Wangen	Verga	Coffa	Topo
3	124	2mm x-veneér	3280L	Boom vork	Boom tenedor	Boom forchetta	Garfo Boom
2	125	1mm x-veneér	3279L	Reddingsboot	Bote salvavidas	Battello di salvataggio	Barco salva-vidas
2	126	1mm x-veneér	3279L	Standaard	Grada	Supporto	Pé do Suporte de Casco
2	127	1mm x-veneér	3279L	Standaard	Grada	Supporto	Pé do Suporte de Casco
2	128	1mm x-veneér	3279L	Halter	Consola	Consolle	Suporte



4	129	1mm x-veneér	3279L	Reddingsboot	Bote salvavidas	Battello di salvataggio	Barco salva-vidas
4	130	2mm x-veneér	3281L	Mastbeslag	Herrajes de palo	Accessori albero	Fittings do Mastro
1	131	4mm x-veneér	3284L	Standaard	Grada	Supporto	Pé do Suporte de Casco
1	132	4mm x-veneér	3284L	Standaard	Grada	Supporto	Pé do Suporte de Casco
1	133	4mm x-veneér	3285L	Standaard	Grada	Supporto	Pé do Suporte de Casco
1	134	4mm x-veneér	3285L	Standaard	Grada	Supporto	Pé do Suporte de Casco
1	135	1mm x-veneér	3279L	Schaar, vang	Posa botavara	Sostegno boma	Descanco da retranca
10	136	0,7x1x550mm	Annegre	Berghouten	Listón de defensa	Lestelli parabordo	Defensa
1	137	0,7x2x550mm	Mahogani	Strip	Listón	Listello	Tira
100	138	0,7x2x550mm	Annegre	Strip	Listón	Listello	Tira
4	139	1,8x2x550mm	Abachi	Strip	Listón	Listello	Tira
45	140	1,8x7x740mm	Abachi	Strip	Listón	Listello	Tira
1	141	ø6x60mm	Pine	Rondhout	Barra reronda	Tondino (listello)	Bastão cilíndrico
4	MS1+MS2+MS3	ø8x330mm	Pine	Rondhout	Barra reronda	Tondino (listello)	Bastão cilíndrico
7	MS4+MS5+BM1+R1	ø5x250mm	Pine	Rondhout	Barra reronda	Tondino (listello)	Bastão cilíndrico
2	BM2+BM3	ø5x160mm	Pine	Rondhout	Barra reronda	Tondino (listello)	Bastão cilíndrico
1	R2	ø4x225mm	Pine	Rondhout	Barra reronda	Tondino (listello)	Bastão cilíndrico
4	BM4+R3	ø4x180mm	Pine	Rondhout	Barra reronda	Tondino (listello)	Bastão cilíndrico
1	R4	ø3x120mm	Pine	Rondhout	Barra reronda	Tondino (listello)	Bastão cilíndrico
1		60x200mm		Net	Red	Rete	Rede
1		A4		Bauwbeschrijving	Instr. de constr.	Istruzioni di montaggio	Manual de montagem
1		A3		Mast Tekeningen	Mástil dibujos	Mast Disegni	Mastro Desenhos
1		TR 126		Transfer	Transfer	Decalcomanie	Decalcomania
1		50-50105		Tekening	Ilustración	Piani di costruzione	Plantas
1				Zeildoek	Vela	Vele	Velas
3	F22a	ø0,5mm	Copper	Koperdraad	Alambre de cabre	Filo in rame	Fio de cobre
1	F35	ø3x61mm	Brass	Vlaggestok	Asta de bandera	Asta portabandiera	Haste da bandeira
2	F37	30mm	Plastic	Anker	Ancla	Ancora	Âncora
6	F39	ø1x250mm	Brass	Messingdraad	Hilo de latón	Filo in ottone	Fio de latão
1	F45	ø30x9mm	Plastic	Schroet	Hélice	Elica	Hélice
112	F54	ø1,6x8mm	Brass	Korvijnnagel	Cabillas	Ribattino	Pino de amarracão
1	F56	ø5x5,5mm	Brass	Scheepsbel	Campanilla	Campana	Sino
2	F60	20mm	Plastic	Lüfter	Vávula	Ventola	Respiradouro
2	F63	ø5x2,25mm	Brass	Koppeling	Embrague	Frizione	Embreagem
1	F70	50 m		Takelgaren	Hilo de oparejo	Filo per manovre	Linha de cordame
1	F71	60 m		Takelgaren	Hilo de oparejo	Filo per manovre	Linha de cordame
1	F72	20 m		Takelgaren	Hilo de oparejo	Filo per manovre	Linha de cordame
1	F76	140mm	Brass	Ankerketting	Cadena de ancla	Catena delle ancore	Corrente da âncora



2	F 103	ø6x5mm	Brass	Verhaalklamp	Bocina de ancla	Cubia dell'ancora	Tubo do escovém
1	F105	ø4x4,5mm	Brass	Bus	Casquillo	Copertura	Anel
6	F136	12x12mm	Plastic	Reddingsboei	Cinturones salvavidas	Cintura di salvataggio	Bóia salva-vidas
131	F145	14mm	Brass	Railingspalen	Soporte de pasamanos	Supporti per corrimano	Pontaletes da amurada
4	F158	ø8mm	Brass	Gangspil	Cabrestante	Argano	Cabrestante
2	F168	78x15x26mm	Plastic	Reddingsboot	Bote salvavida	Scialuppa di salvataggio	Bote salva-vidas
6	F193	10x2,5mm	Plastic	Kluisgat	Galápago	Rinforzo	Tubo do escovém
1	F196	ø8x14mm	Brass	Motor	Motor	Motore	Motor
2	F220	ø8x19,5mm	Brass	Boordlichten	Linternas	Lanterna di bordo	Luzes
30	F227	ø10,6x0,8mm	Plastic	Zeilbeslag	Vela	Anelli per la vela	Arco da vela
4	F233	93x20x32mm	Plastic	Reddingsboot	Bote salvavida	Scialuppa di salvataggio	Bote salva-vidas
16	F317	ø4x2mm	Brass	Oogbauten	Potillas	Oblò	Aro de escotilha
1	F327	40mm	Brass	Ketting	Cadena	Catena	Corrente da âncora
8	F348	9mm	Plastic	Kikkers	Cornamusas	Gallocce	Castanha ("T" de amarra)
4	F378	ø4x1,5mm	Brass	Conische schijf	Disco conico	Disco conico	Disco cônico
1	F409	ø1,5x125mm	Brass	Messingdraad	Hilo de latón	Filo in ottone	Tubo do guincho
4	F482	11,5mm	Brass	Motor	Motor	Motore	Motor
30	F488	ø3mm	Wood	Rakkloten	Perla	Perla	Madrepérola
2	F498	11x22mm	Brass	Mastbeslag	Herrajes de palo	Accessorio per albero	Fittings do mastro
2	F499	ø3x8,5mm	Brass	Mastbeslag	Herrajes de palo	Accessorio per albero	Fittings do mastro
1	F501	ø4x3mm	Brass	Hoepel	Zunzho	Anello dell'albero	Arco do mastro
1	F502	ø5x3mm	Brass	Hoepel	Zunzho	Anello dell'albero	Arco do mastro
8	F511	ø2,5x55mm	Brass	Davit	Pescante	Buttafuori	Serviola
8	F537	25mm	Brass	Puttingjizers	Cadenote	Landra	Fixador da corda do mastro
1	F539	40mm	Brass	Putting	Cadenote	Landra	Fixador do ovém
16	F577	ø3x3,5mm	Brass	Bolder	Bitón	Bitta	Abita
2	F605	ø8x6mm	Brass	Rol	Rodillo	Puleggia	Carretel
2	F634	ø9mm	Brass	Patrijspoort	Potillas	Oblò	Vigia
2	F644	ø13mm	Plastic	Handweil	Volante	Ruota ad uso manuale	Volante do timão
1	F645	ø8x2,5mm	Brass	Tandrad	Rueda dentada	Ruota dentata	Roda dentada
8	F663	ø0,8x250mm	Brass	Messingdraad	Hilo de latón	Filo in ottone	Tubo do guincho
186	F664	11mm	Copper	Oogbauten	Pernos de cáncamo	Bullone ad occhio	Ferrolho
6	F667	ø6mm	Brass	Verhaalkop	Tambor	Testa argano	Tambor de espia
116	F697	5mm	Wood	Enkel, blok	Polea, simple	Blocchi (semplici)	Blocos Simples
24	F698	5mm	Wood	Dubbel, blok	Polea, doble	Blocchi (doppi)	Blocos Duplos
1	F717	22mm	Brass	Beugel	Percha	Arco	Cana do leme
1	F726	ø10x3mm	Brass	Tandrad	Rueda dentada	Ruota dentata	Roda dentada
56	F743	9mm	Brass	Oogbauten	Pernos de cáncamo	Bullone ad occhio	Ferrolho



1	F796	ø5x8mm	Brass	Voot	Pie	Piede d'albero	Pé de suporte
78	F824	ø2x14mm	Brass	Wantspanners	Opresor	Viti per le sartie	Tirante
1	F 920	ø21mm	Brass	Stuurwiel	Volante	Ruota del timone	Volante do timão
13	F 996	ø7,75x13,5mm	Brass	Reddingsvlot	Balsa salvavida	Zatterea di salvataggio	Bote salva-vidas
1	F 997		Brass	Boegbeeld	Figurón de proa	Polena	Figura de proa e entalhes



Symboler  = Rigningsnummer
 = Farvenummer


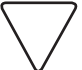
Symbols  = Rigging No.
 = Colour No.


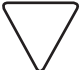
Zeichen  = Takel Nr.
 = Farben Nr.

Symboles  = Greement no.
 = Couleur no.

Symbolen  = Tuigage Nr.
 = Kleur Nr.

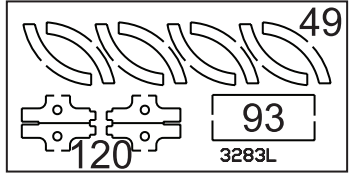
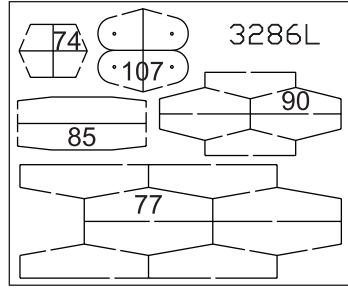
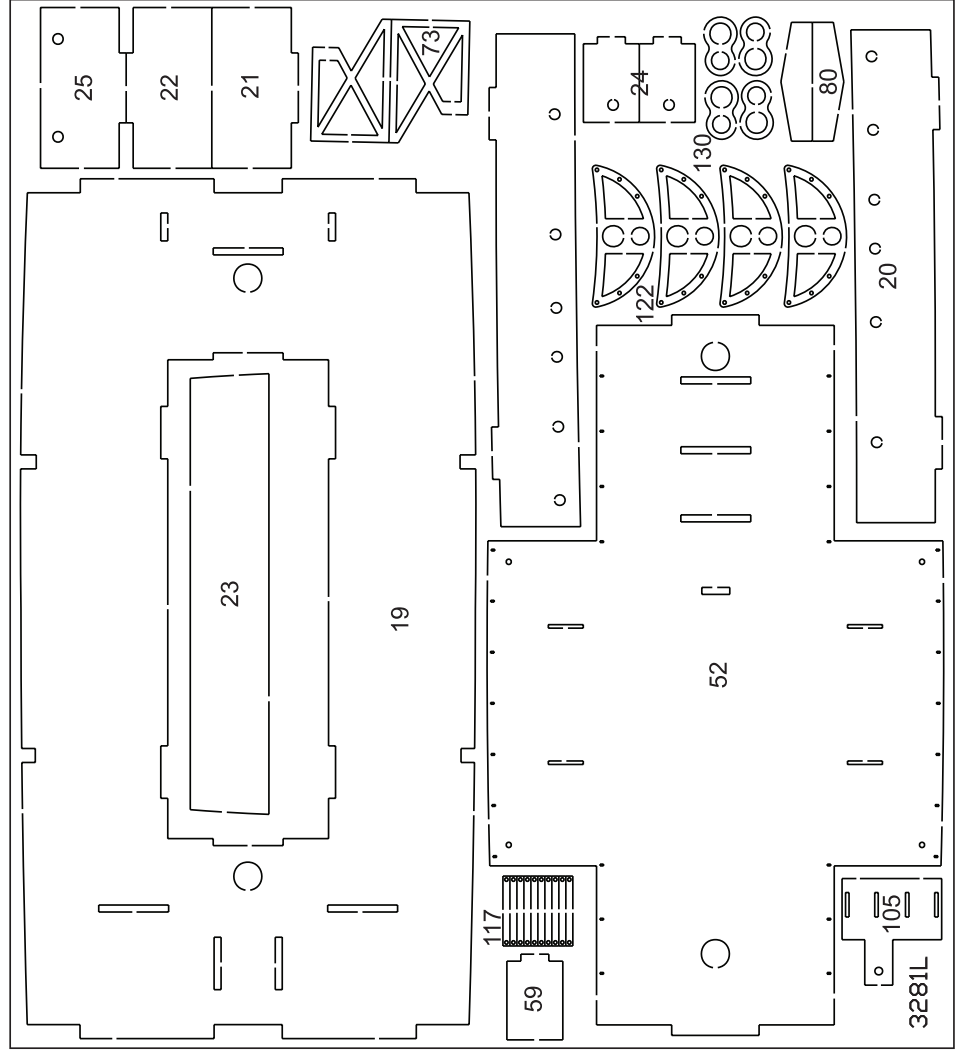
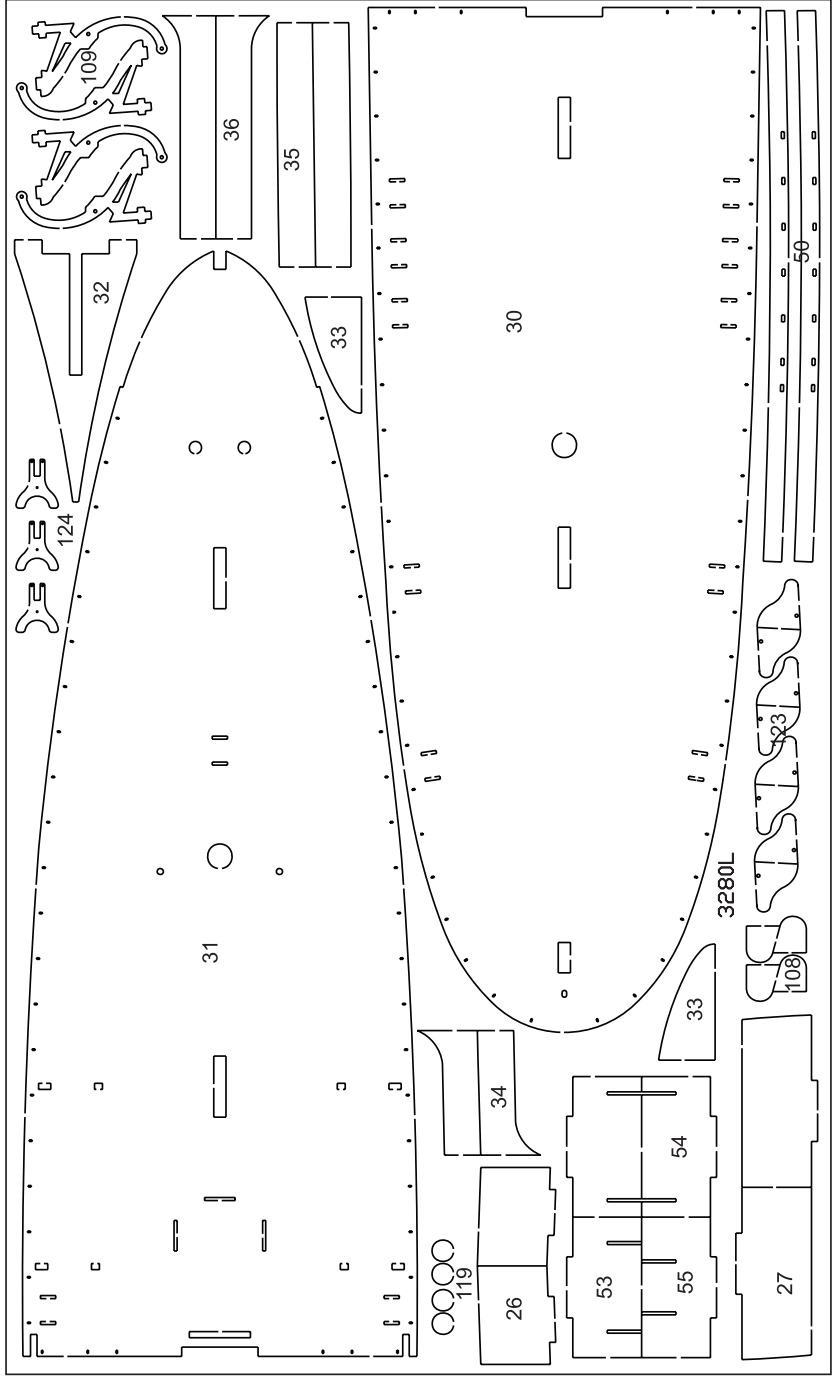
Símbolo  = Oparejo Nr.
 = Color Nr.

Segno  = Attrezzatura N°
 = Colore N°

Simbolos  = Cordame n°
 = Cõr n°

Til denne model er mahogni bejdse og farver med følgende numre nødvendige:
For this model is mahogany stain and colours with the following numbers should be used:
Für dieses Modell sind Mahagoni Beize und Farben mit den folgenden Nummern notwendig:
Pour ce modèle, le mordant et les couleurs avec les numéros suivants doivent être employées:
Voor dit model zijn kleuren met de volgende nummers nodig:
Para est modelo se necesitan mordiente et colores con los siguientes números:
Per questo modello occorrono inchiostro tinggiatore "mogano" e colori con questi numeri:
Pinte o modelo com tintura cõr Mogno e as cõres sugeridas da Billing Boats:

Billing 1 = White
Billing 3 = Emerald
Billing 5 = Tan
Billing 9 = Bright Red
Billing 11 = Black
Billing 12 = Pale Gray
Billing 13 = Trainer Yellow
Billing 18 = Mediterranean Blue
Billing 36 = Bejdse/Stain/Beize/Mordant/Beize/Mordient



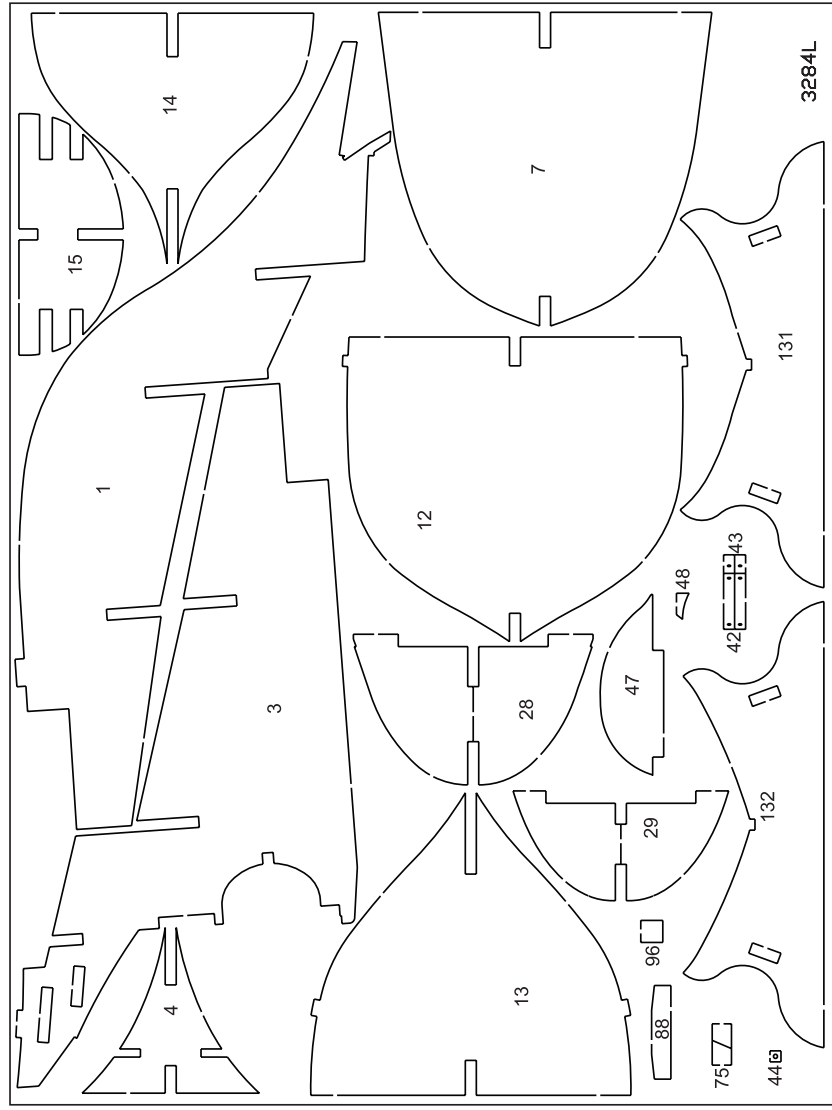
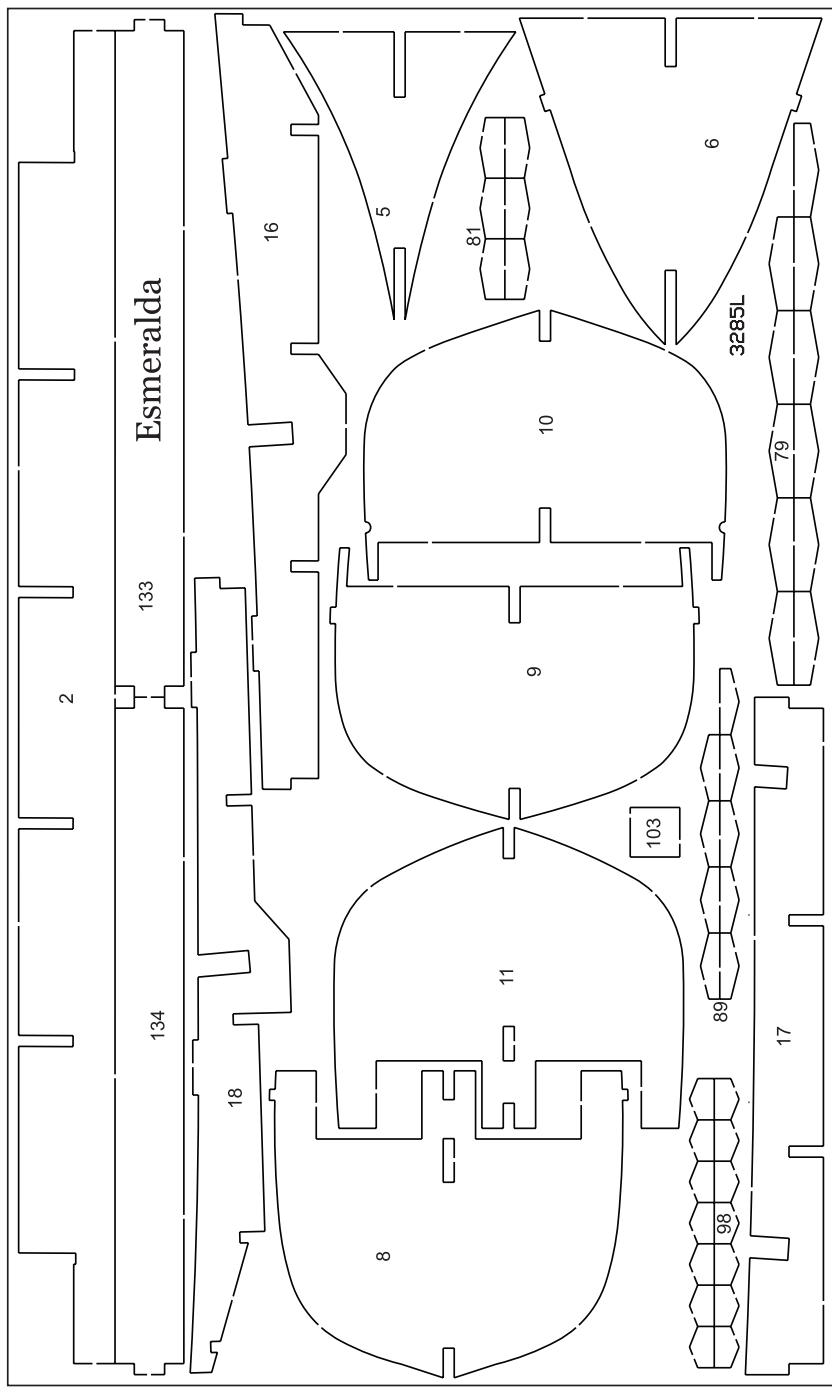


Fig. 1

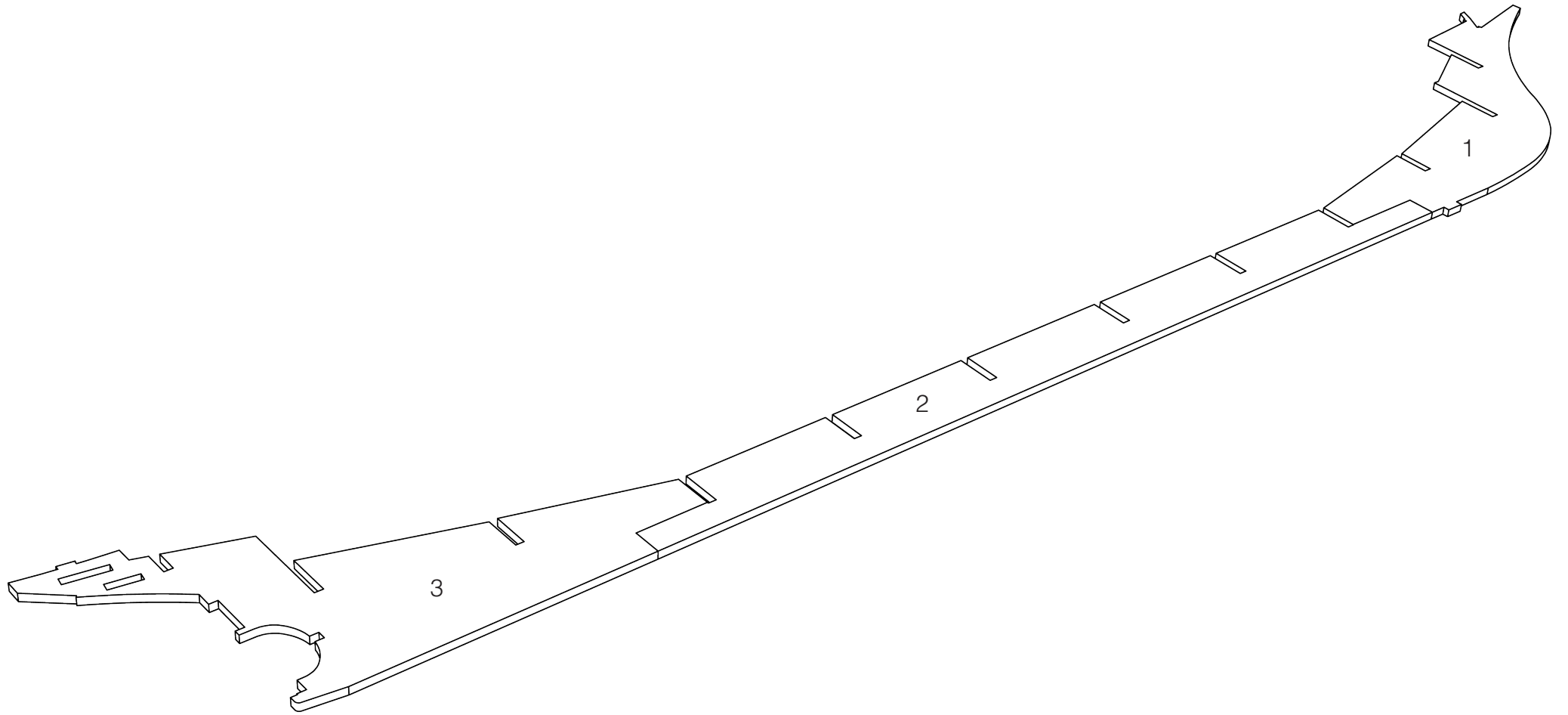


Fig. 2

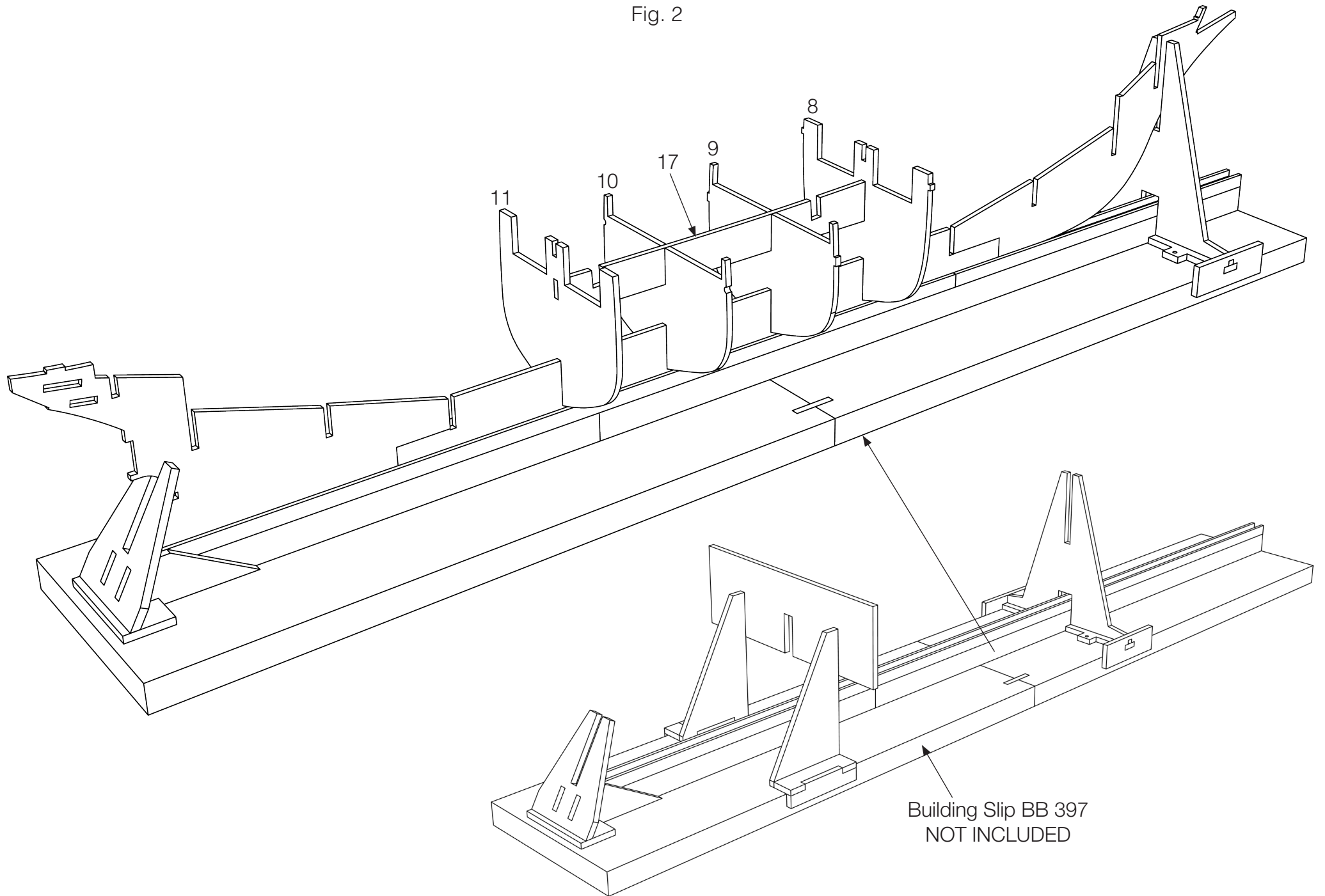


Fig. 3

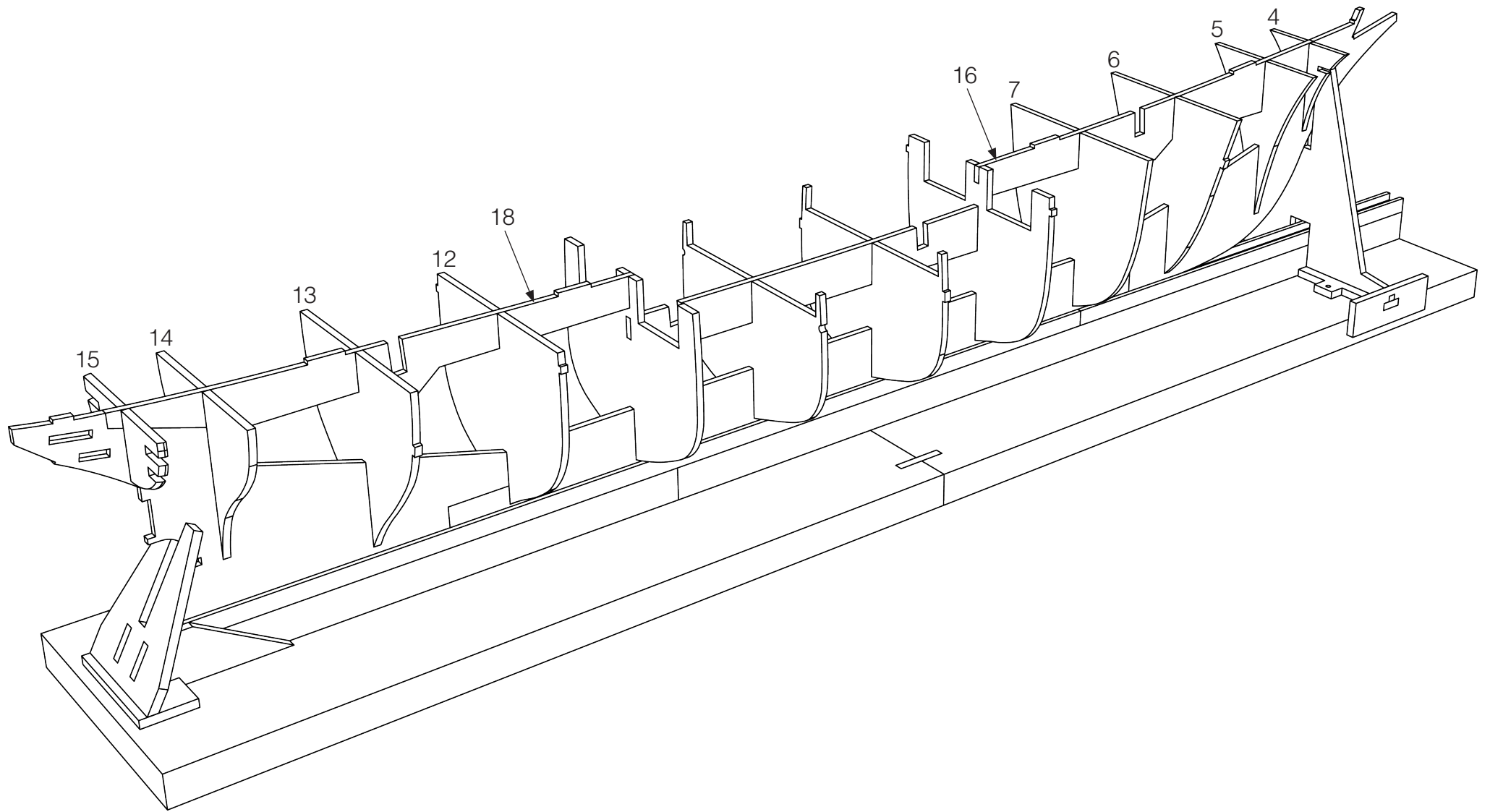


Fig. 4

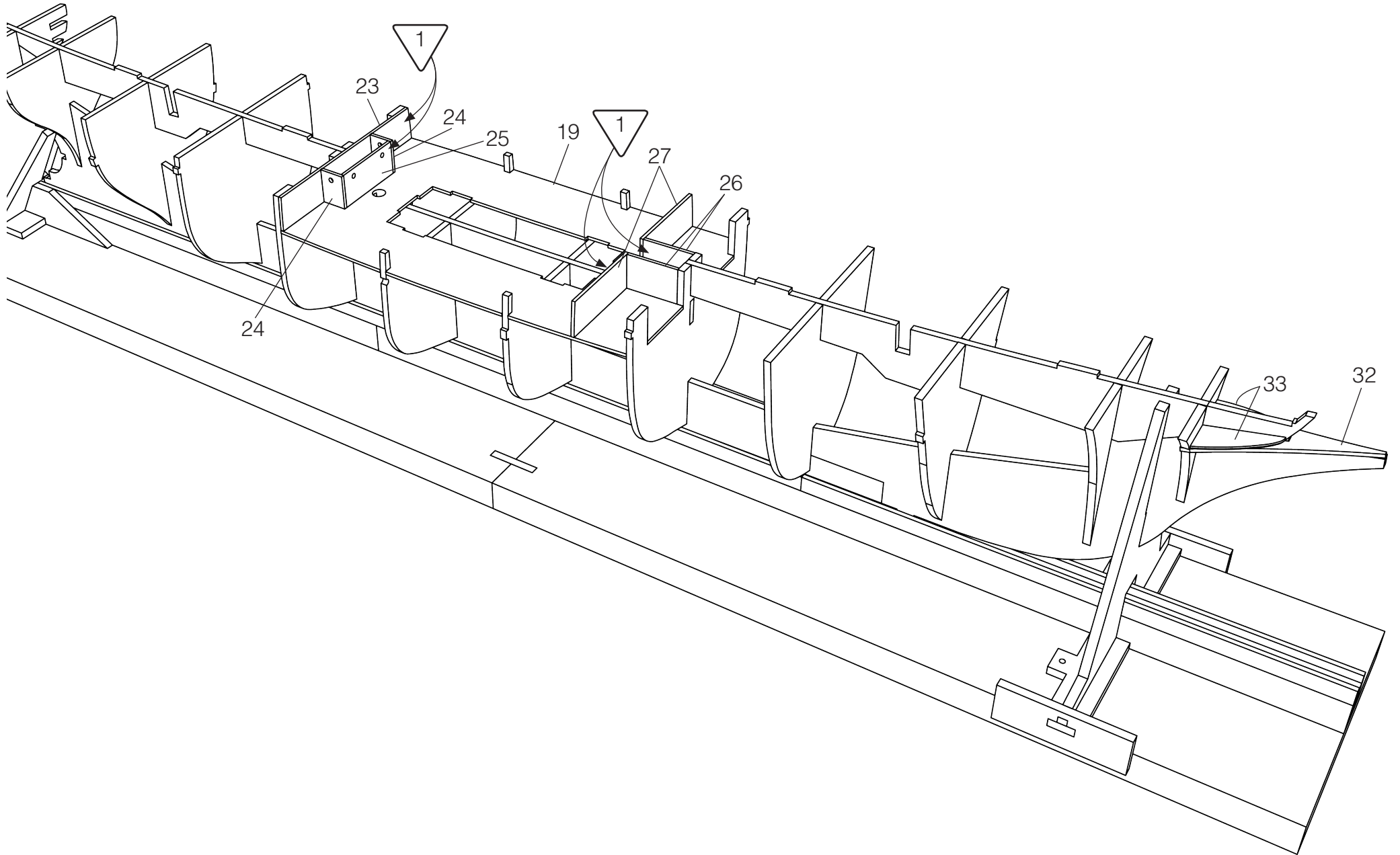


Fig. 5

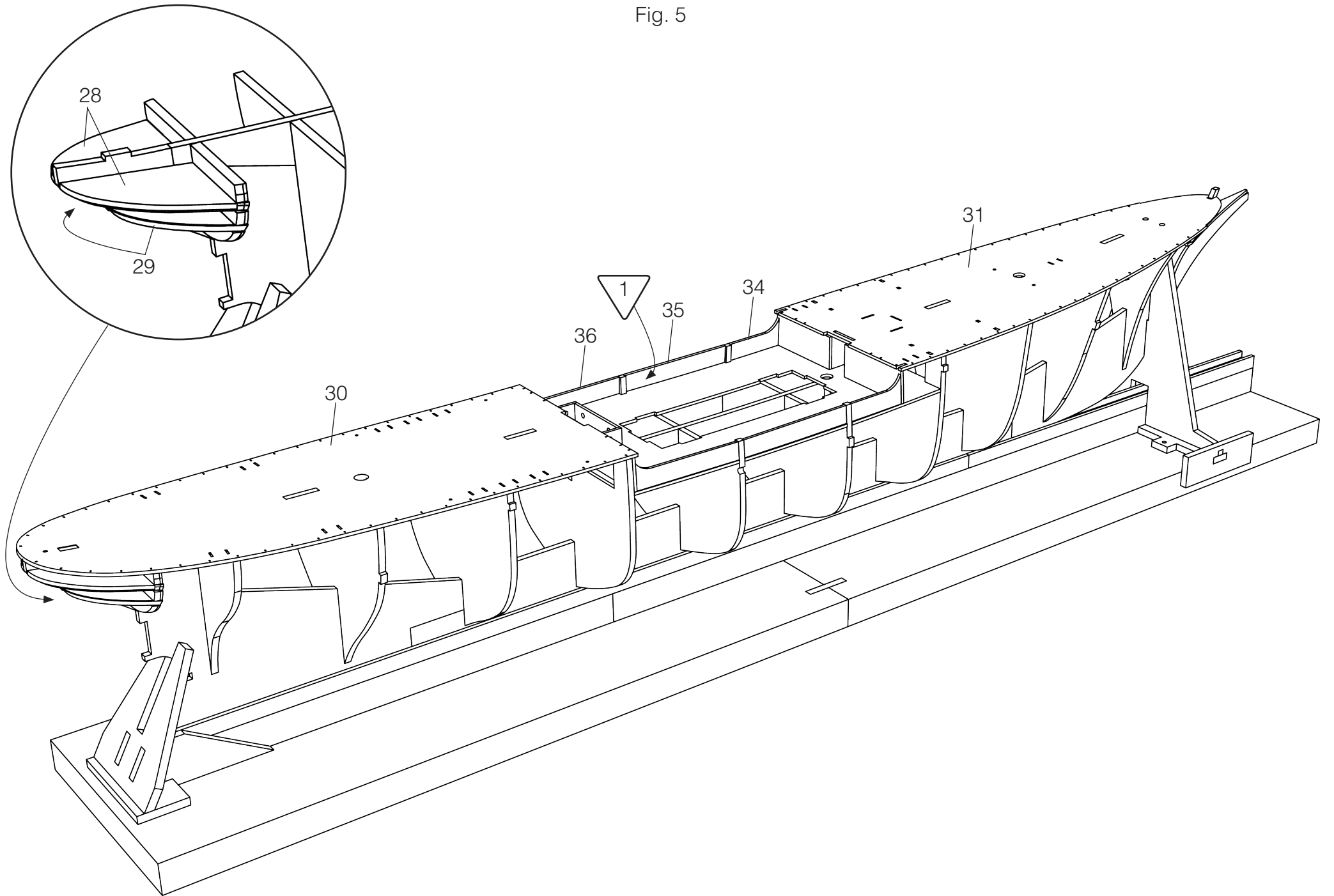


Fig. 6

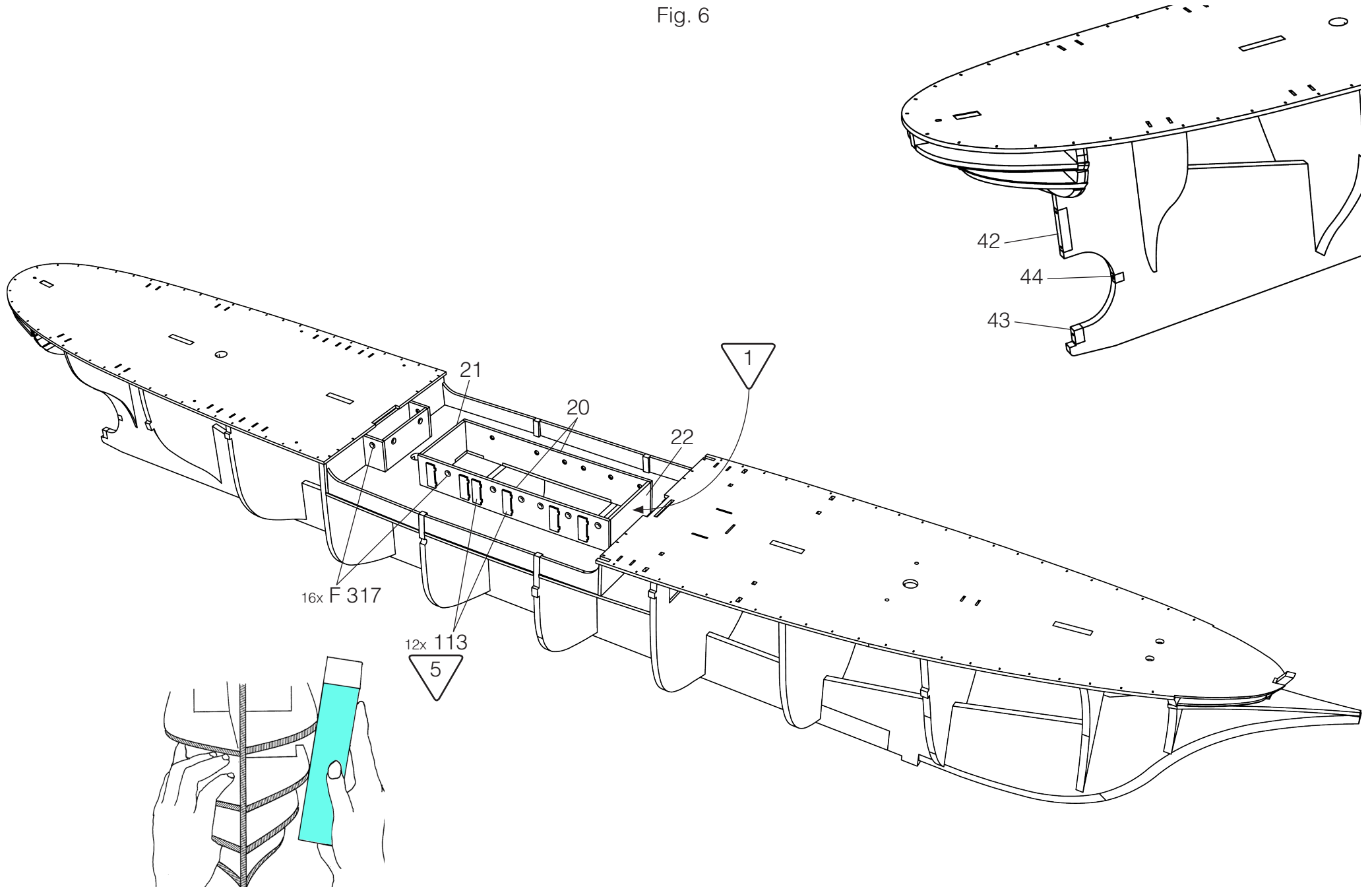


Fig. 7

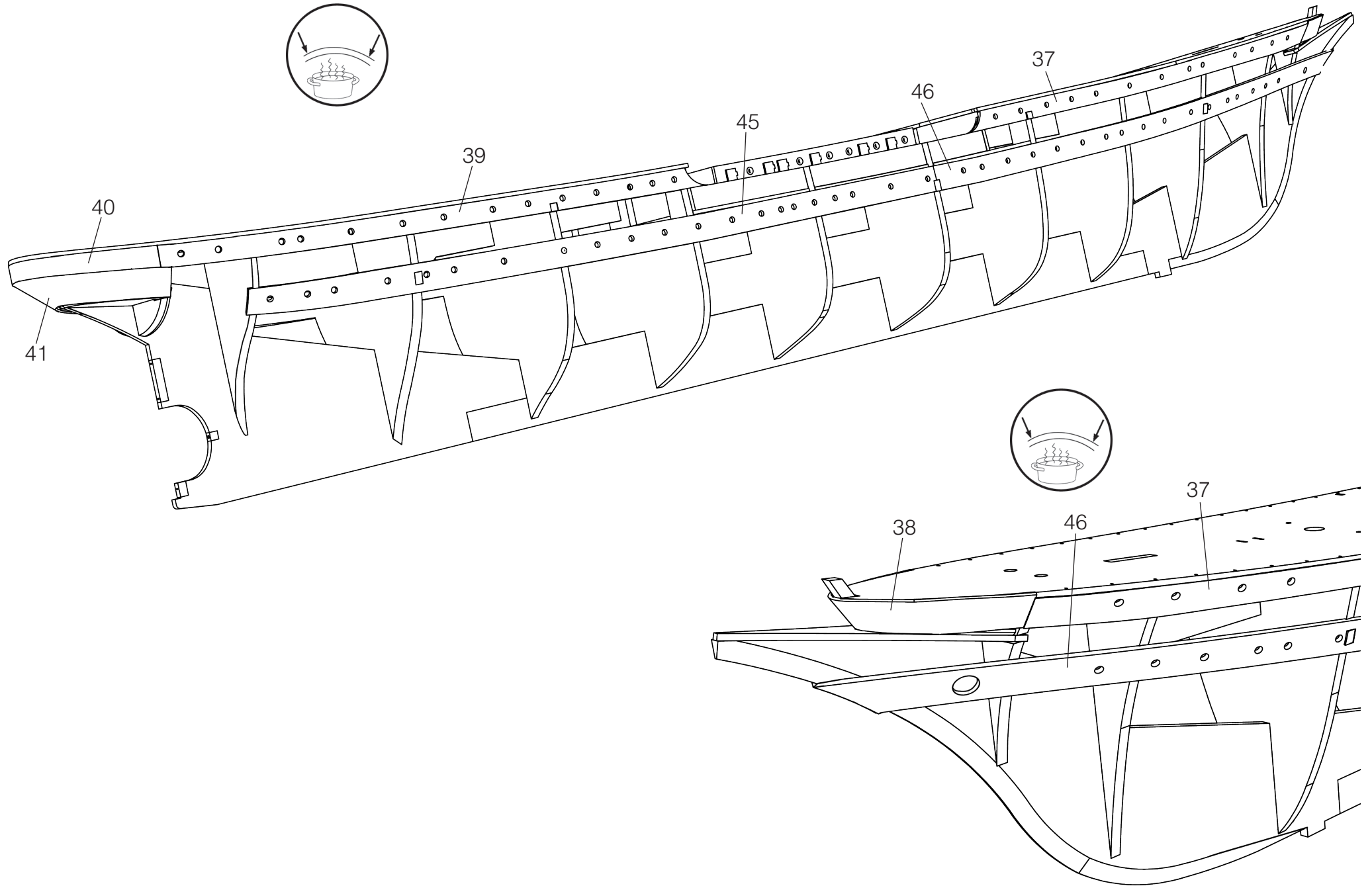


Fig. 8

Check/Fit
F 997

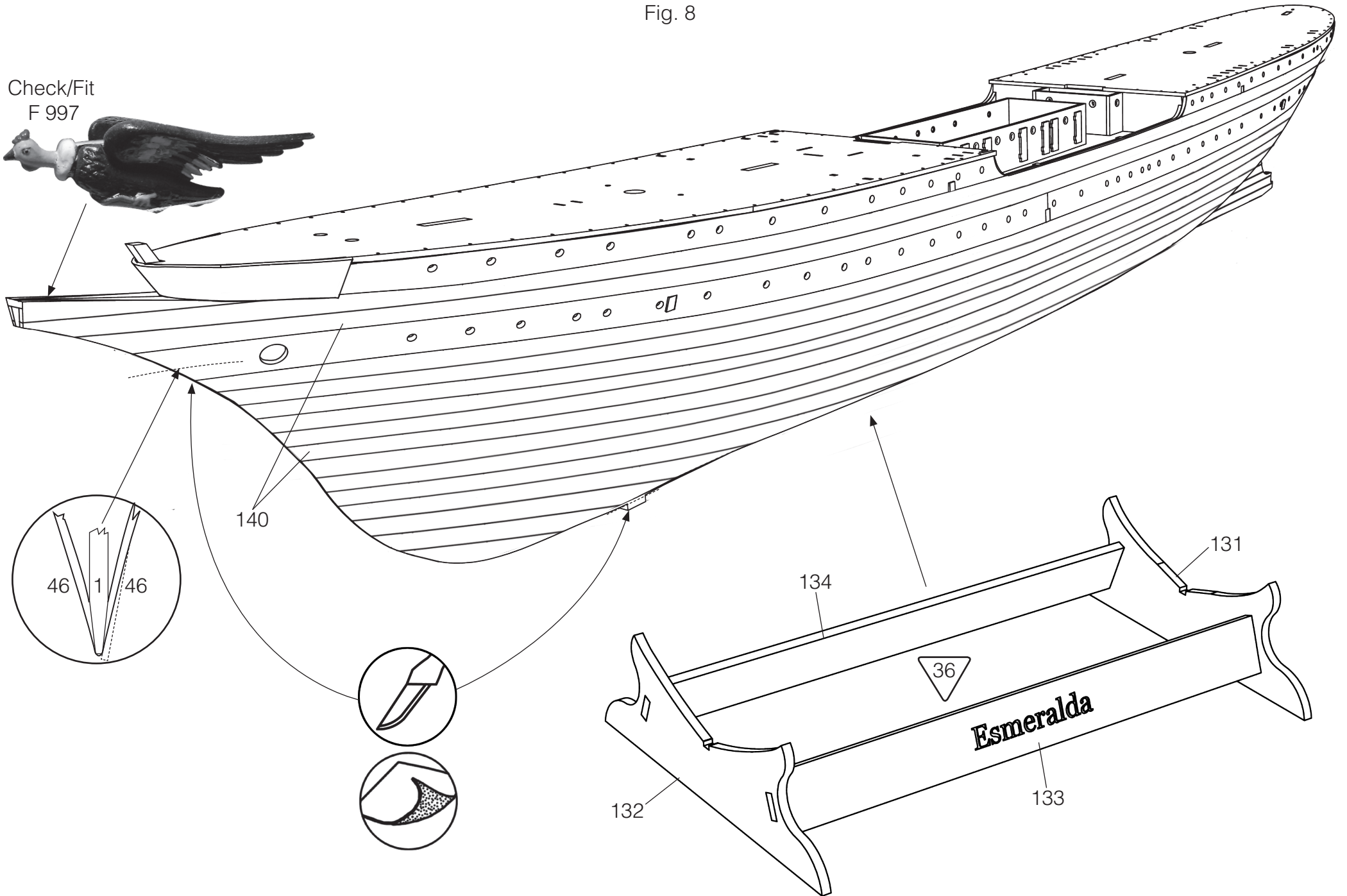


Fig. 10

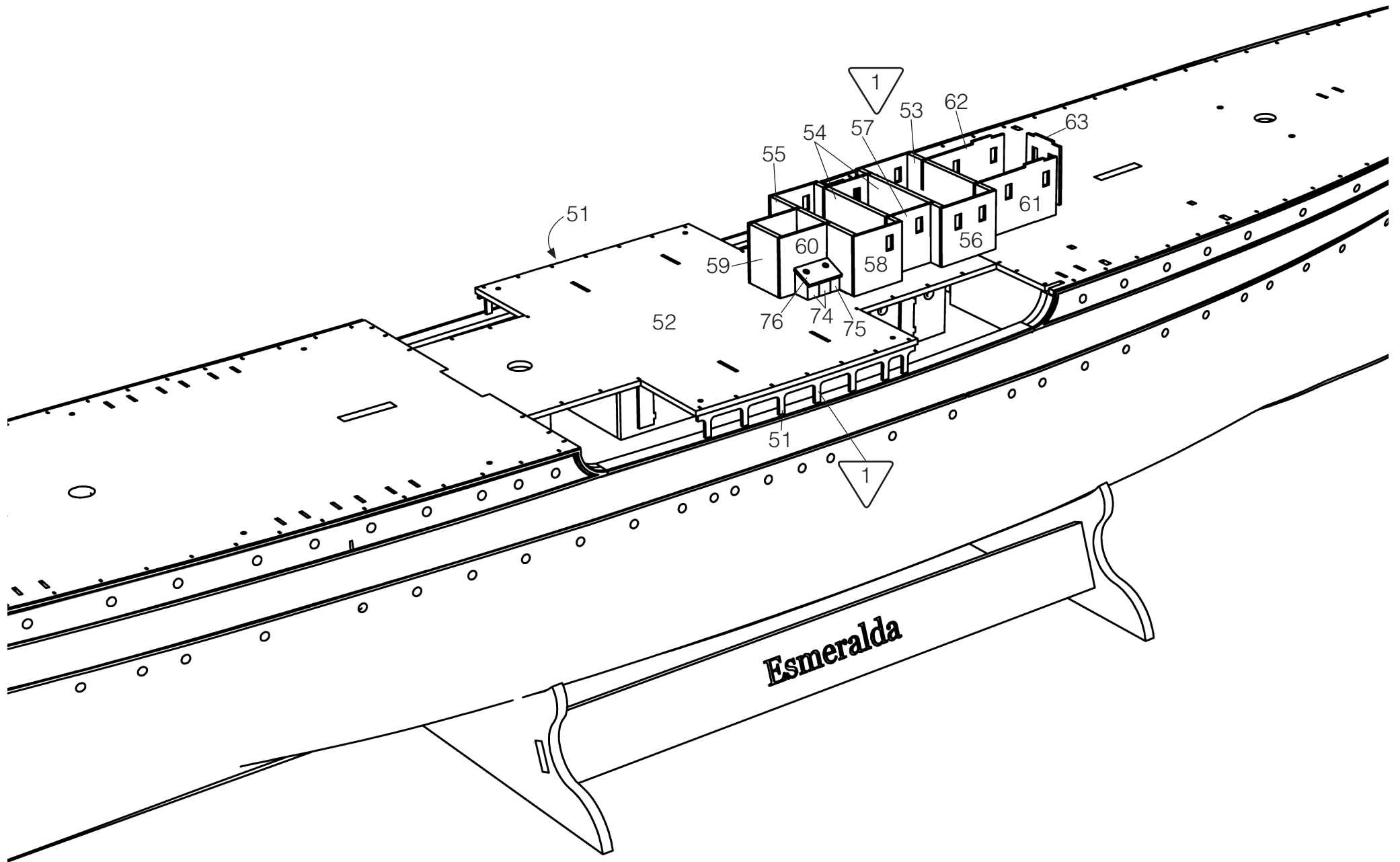
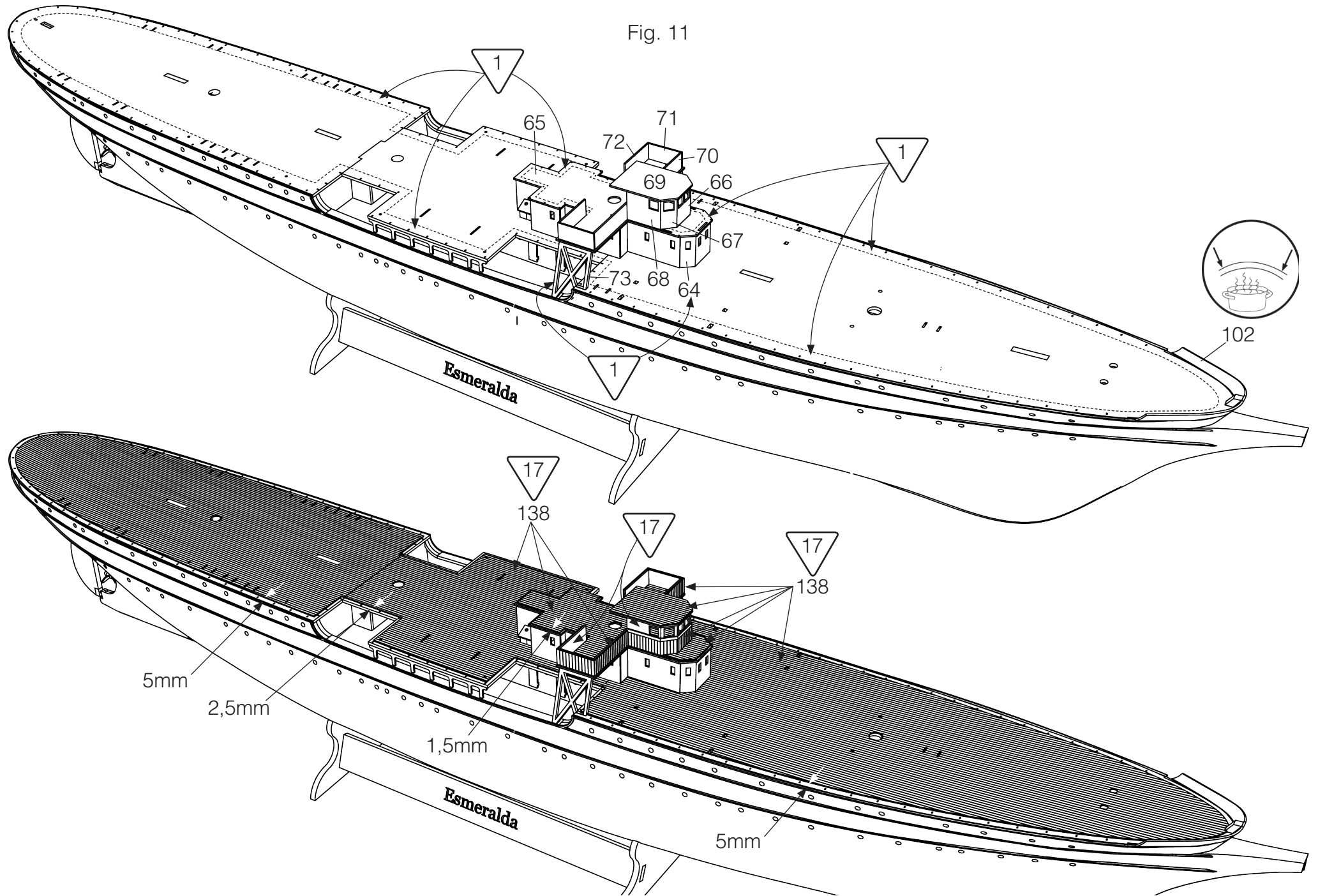


Fig. 11



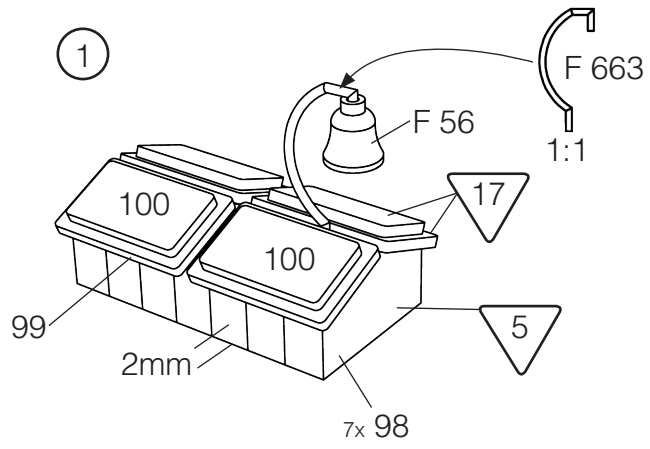
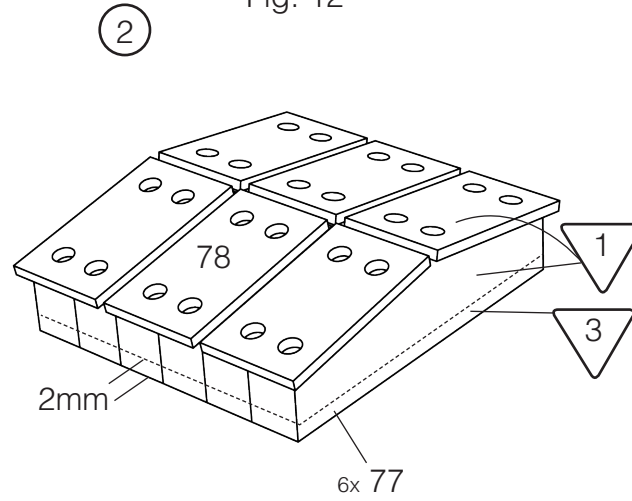


Fig. 12



2x ③

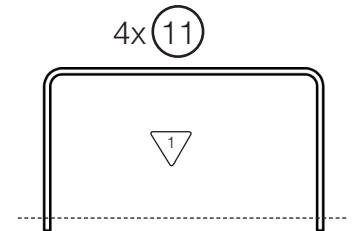
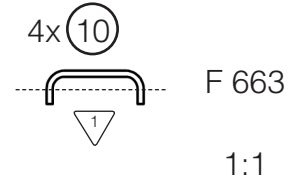
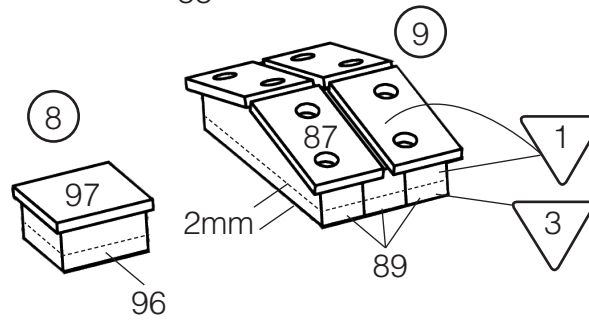
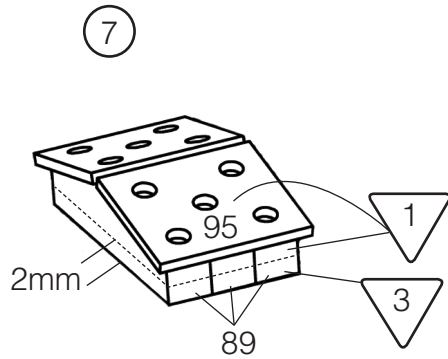
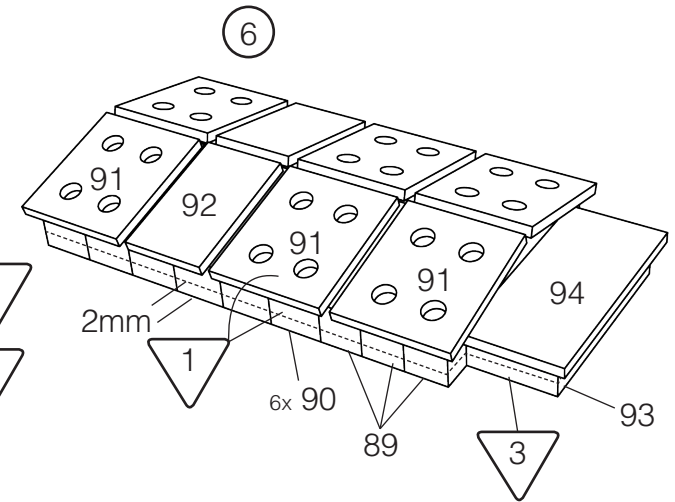
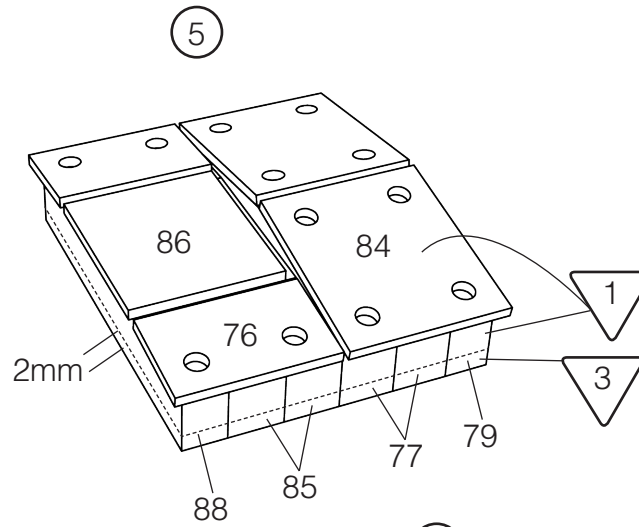
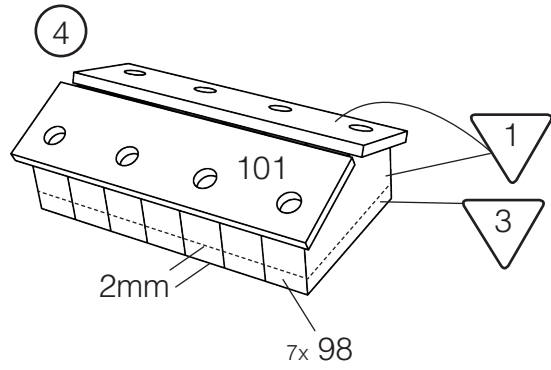
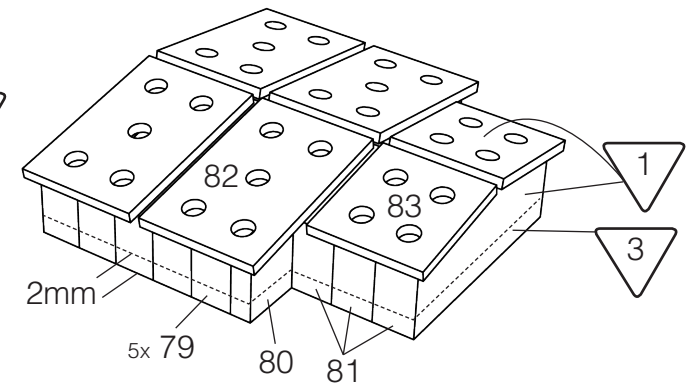


Fig. 13

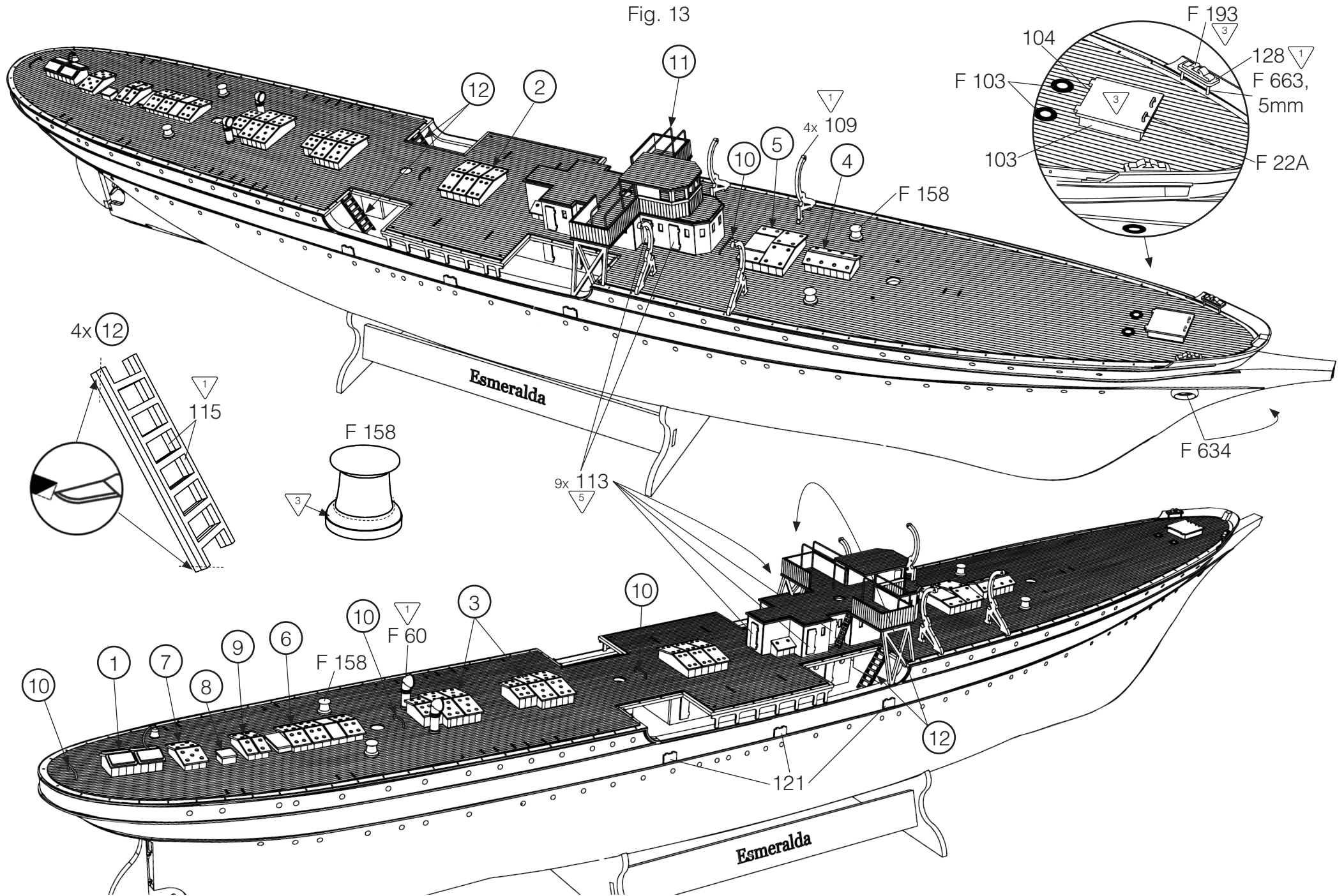


Fig. 14

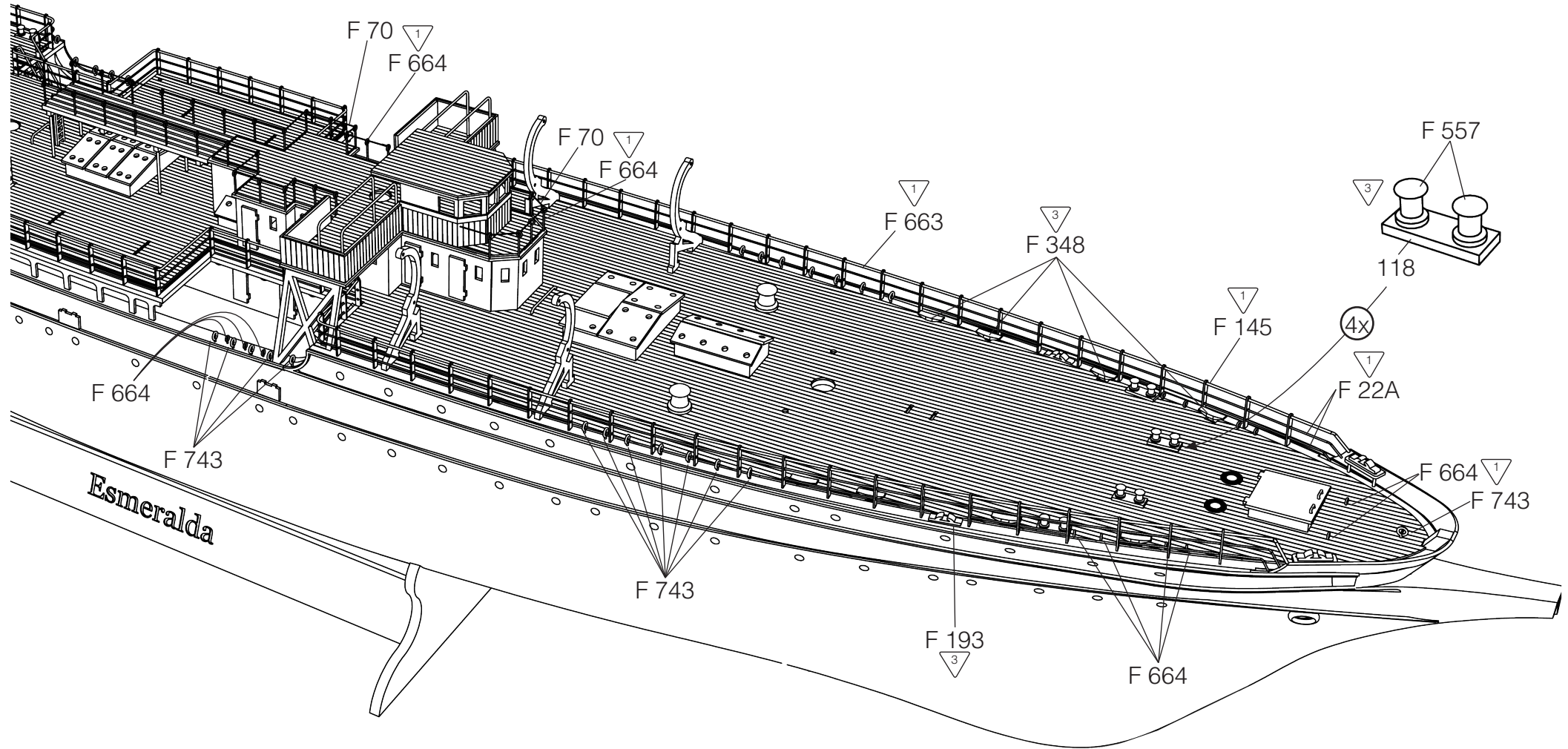


Fig. 15

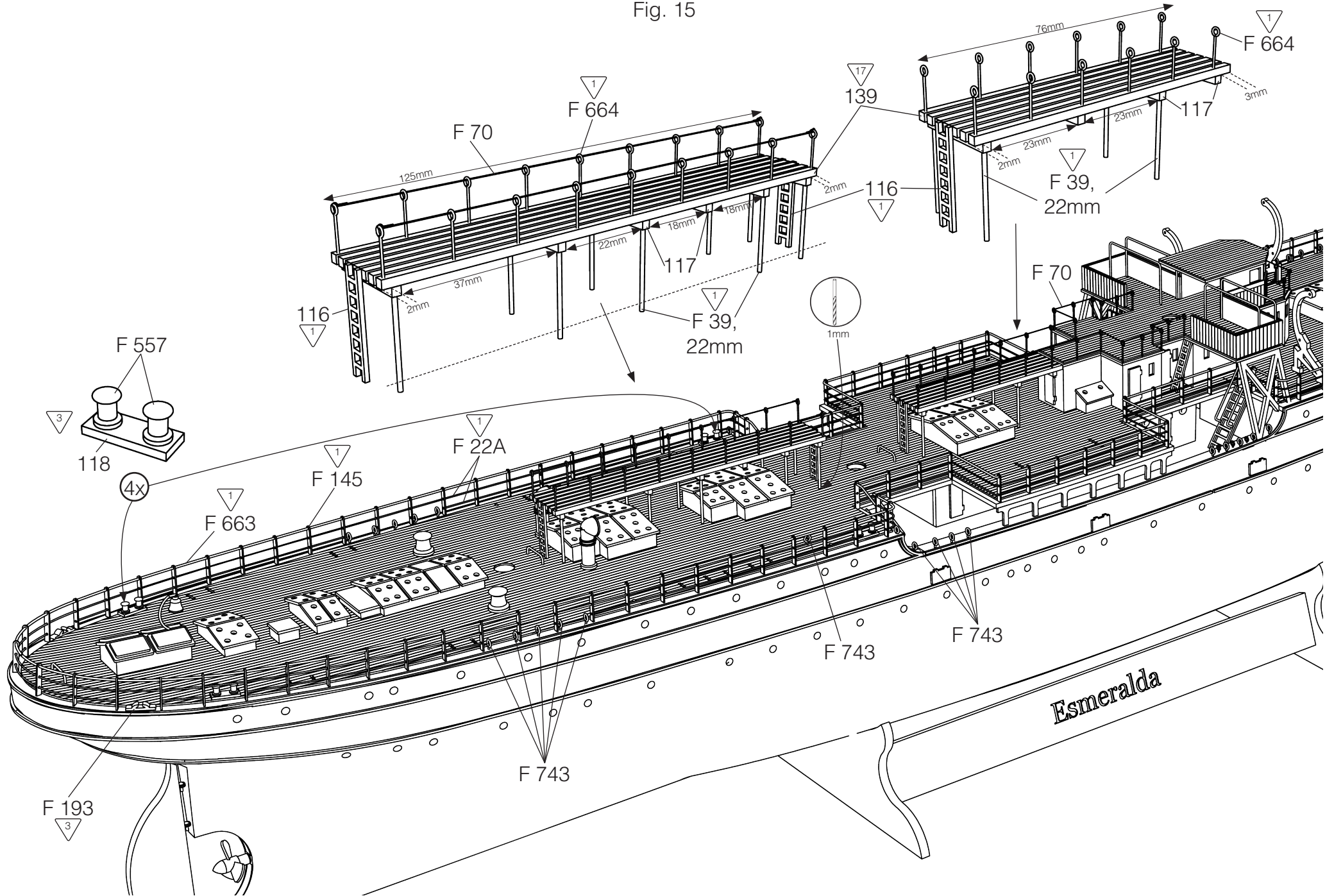


Fig. 16

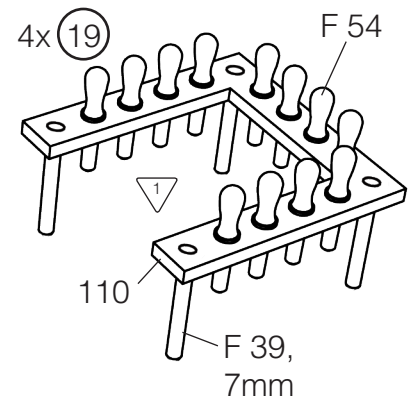
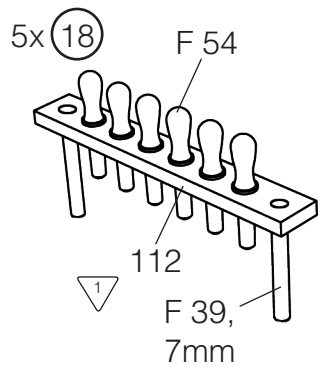
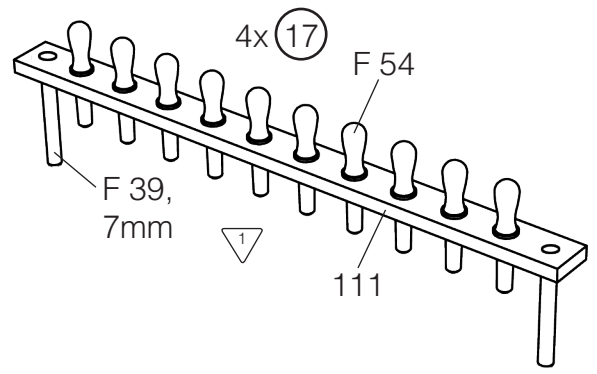
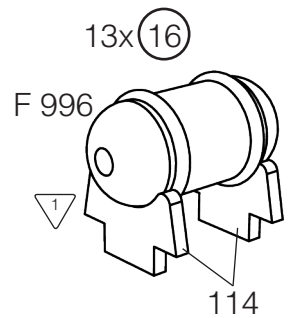
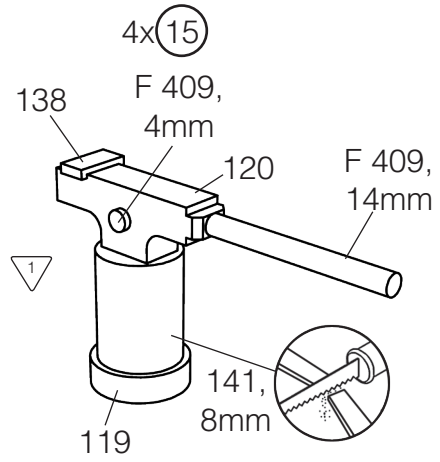
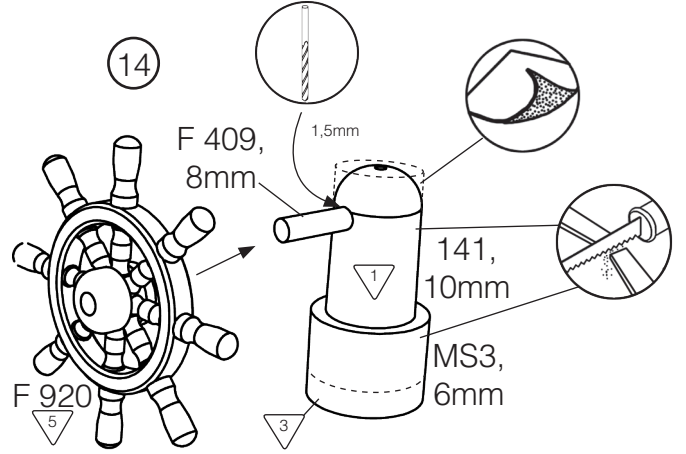
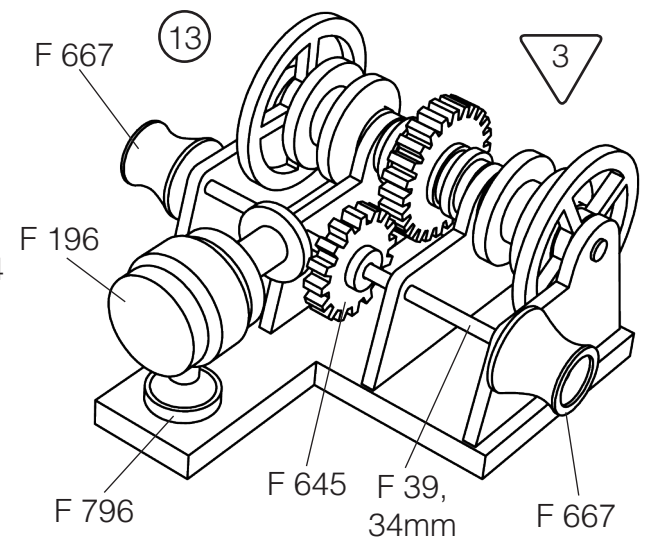
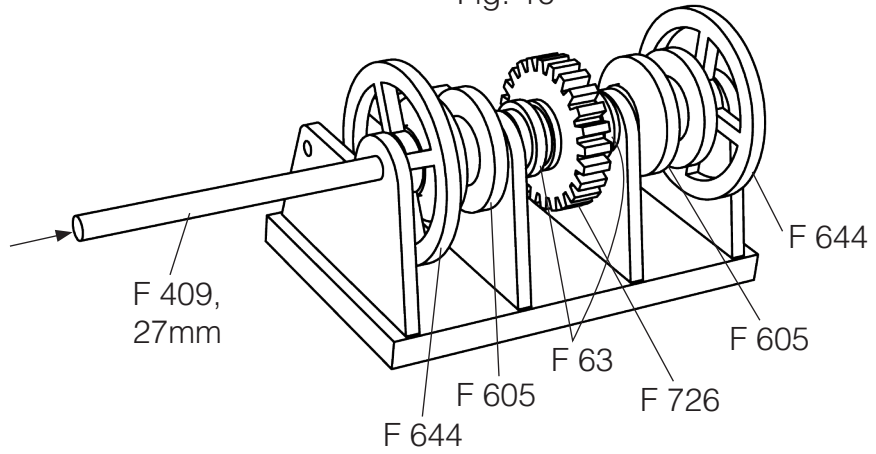
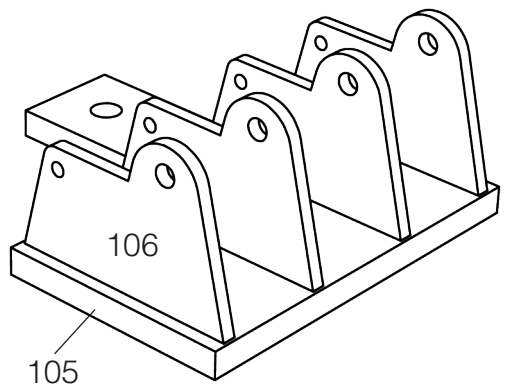


Fig. 17

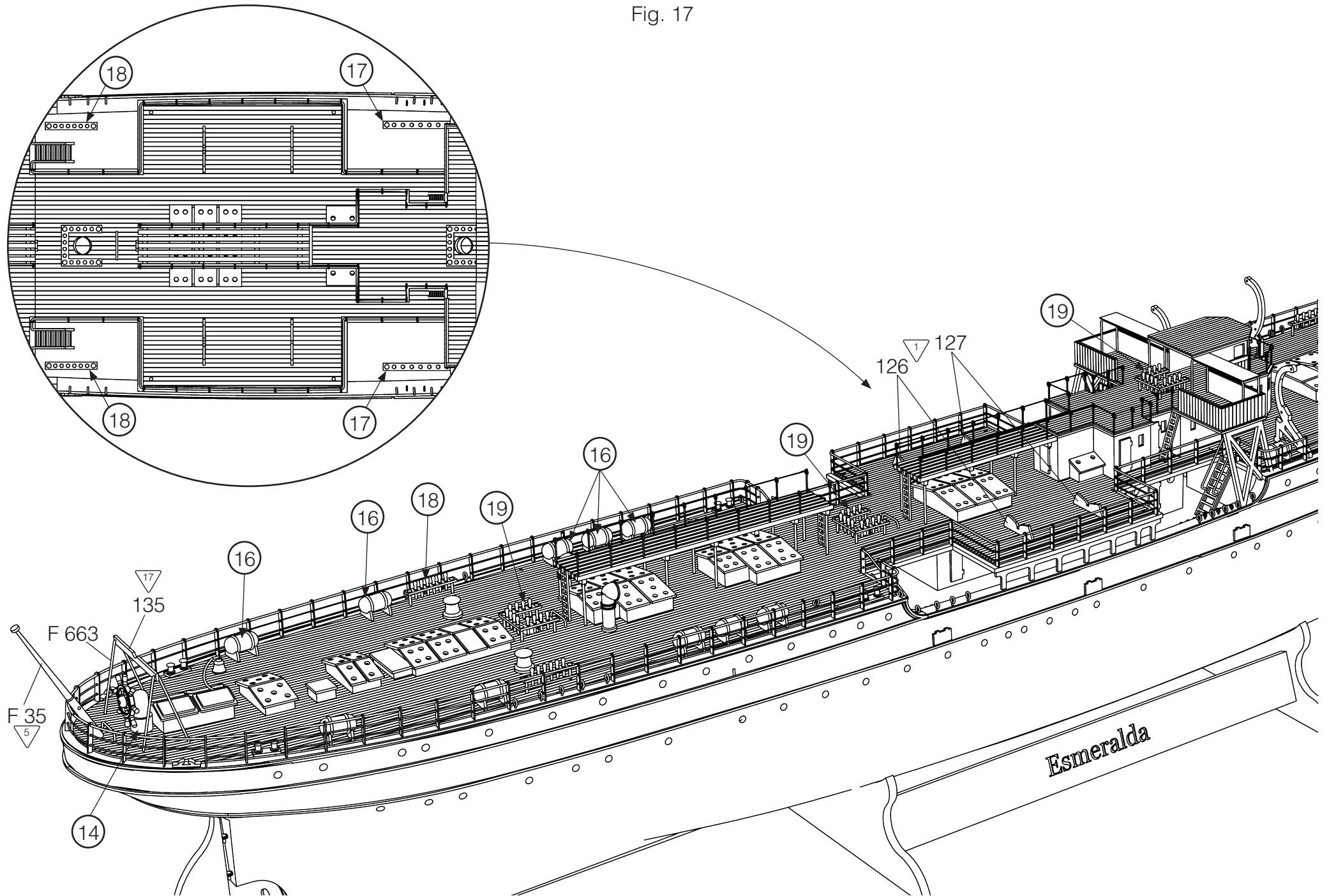
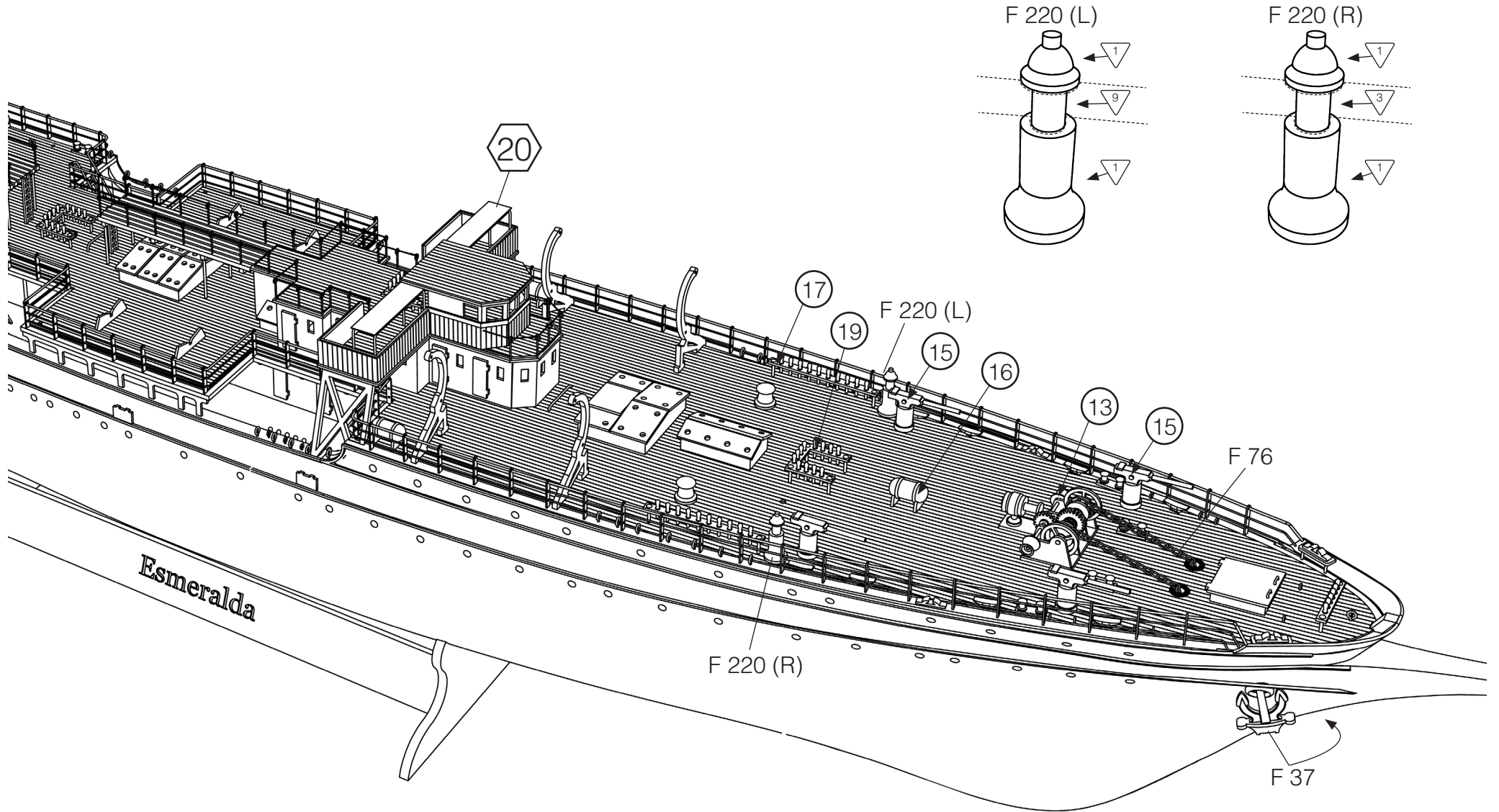


Fig. 18



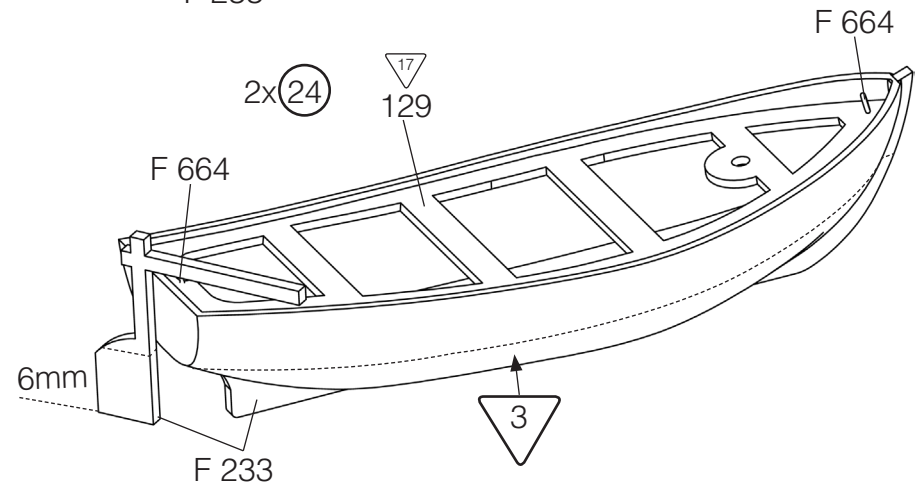
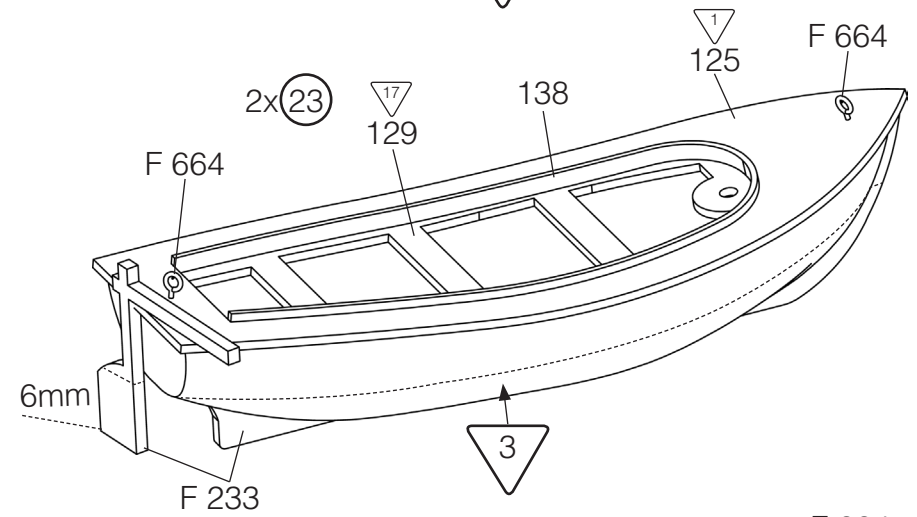
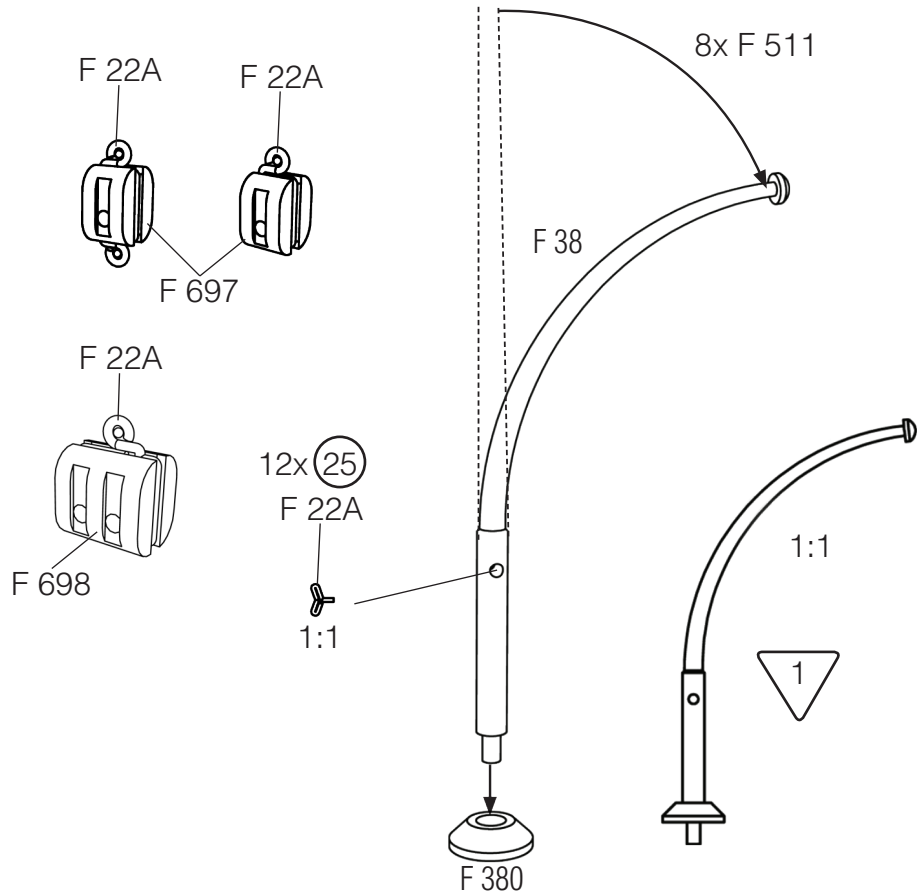
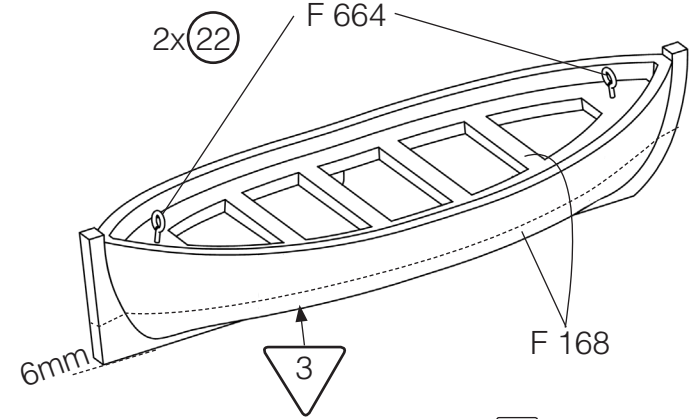
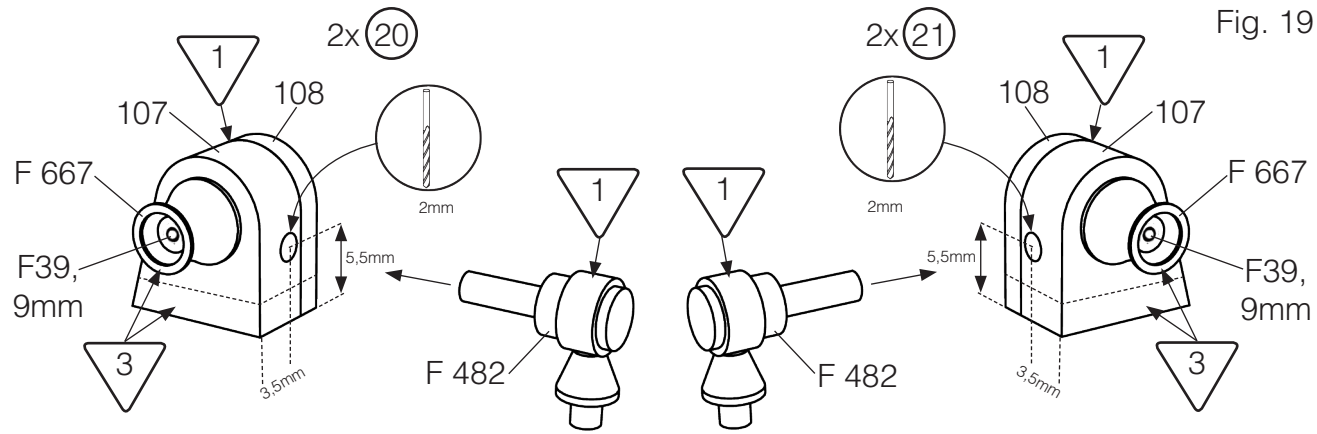


Fig. 20

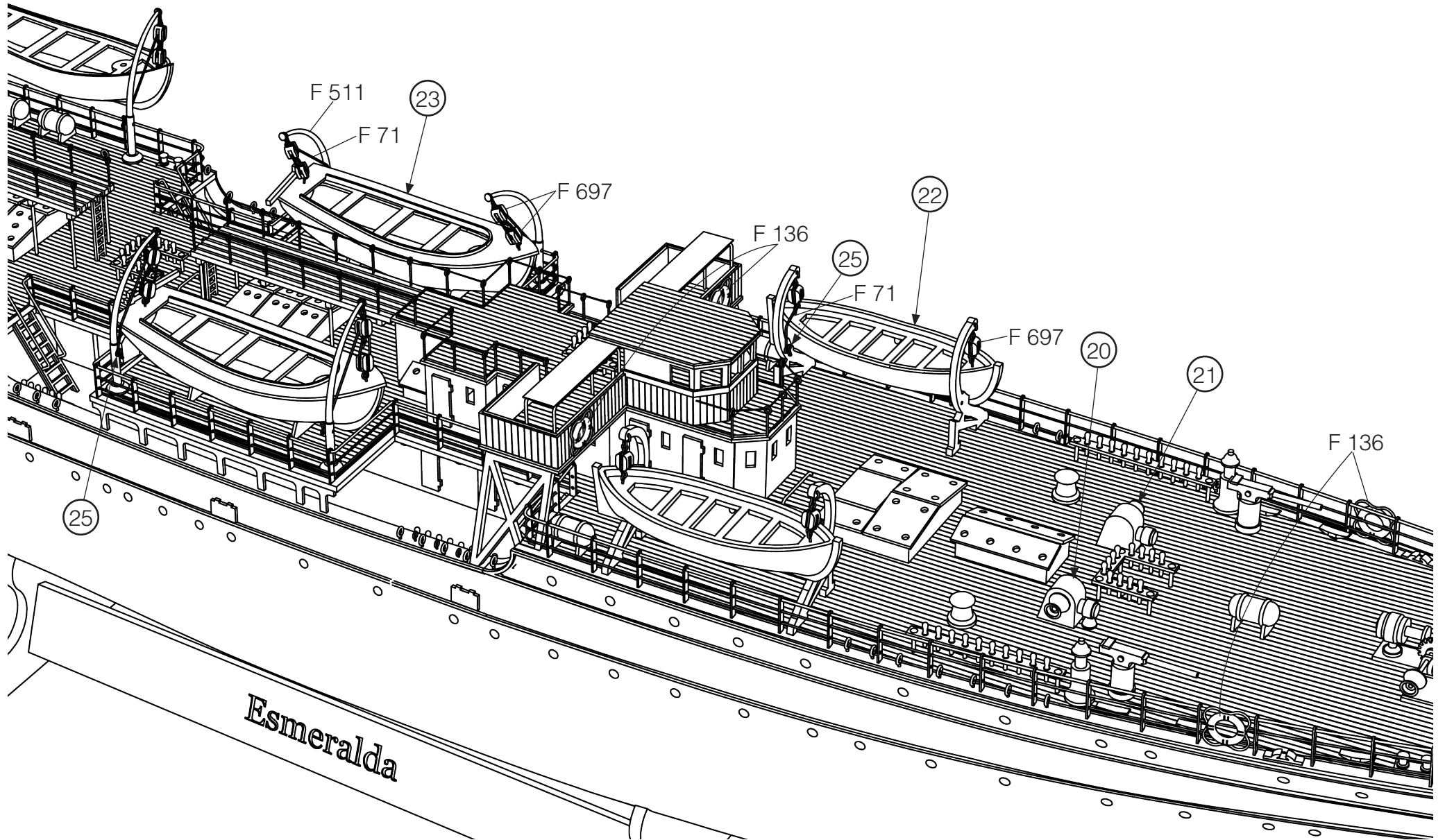


Fig. 21

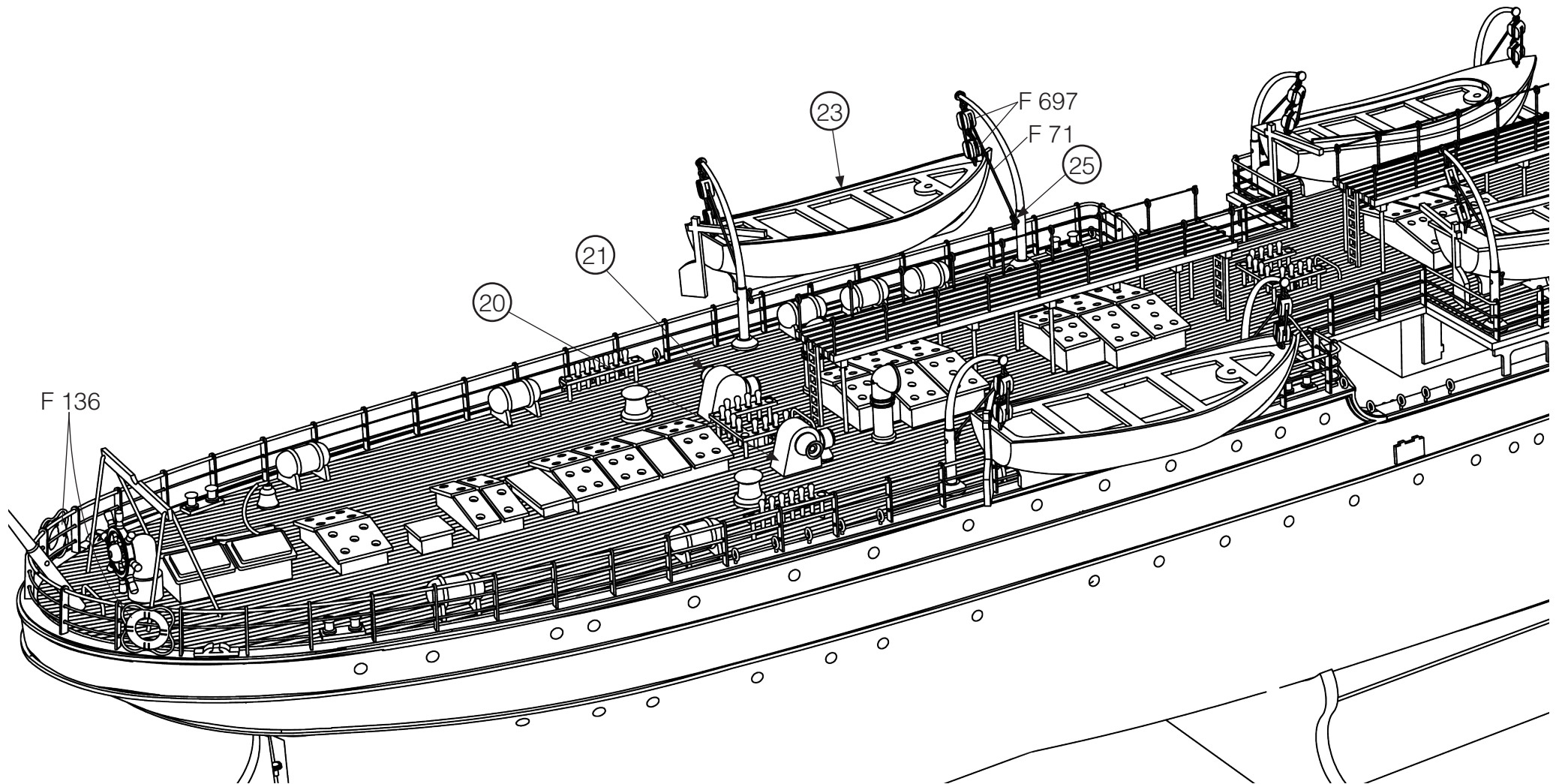


Fig. 22

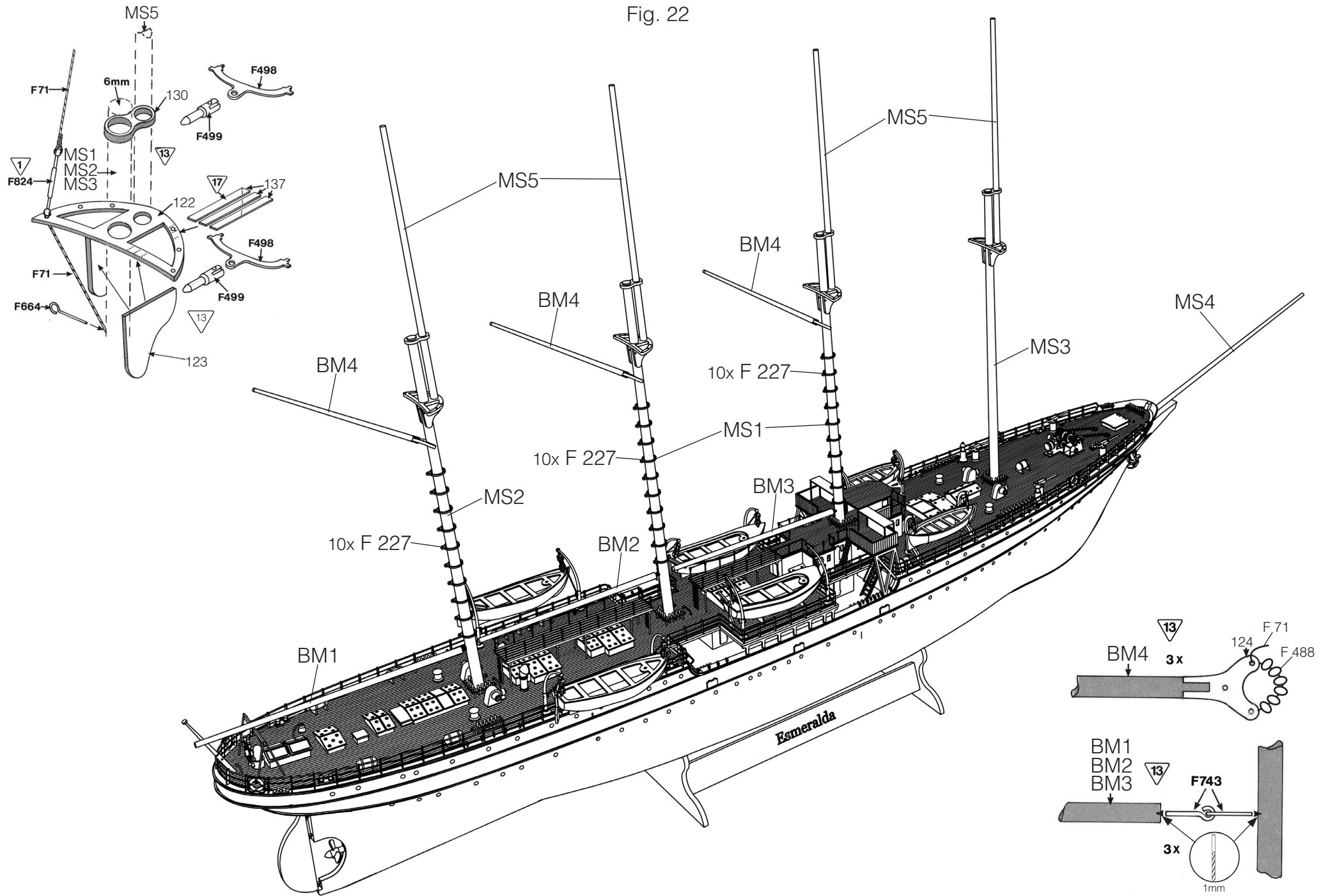
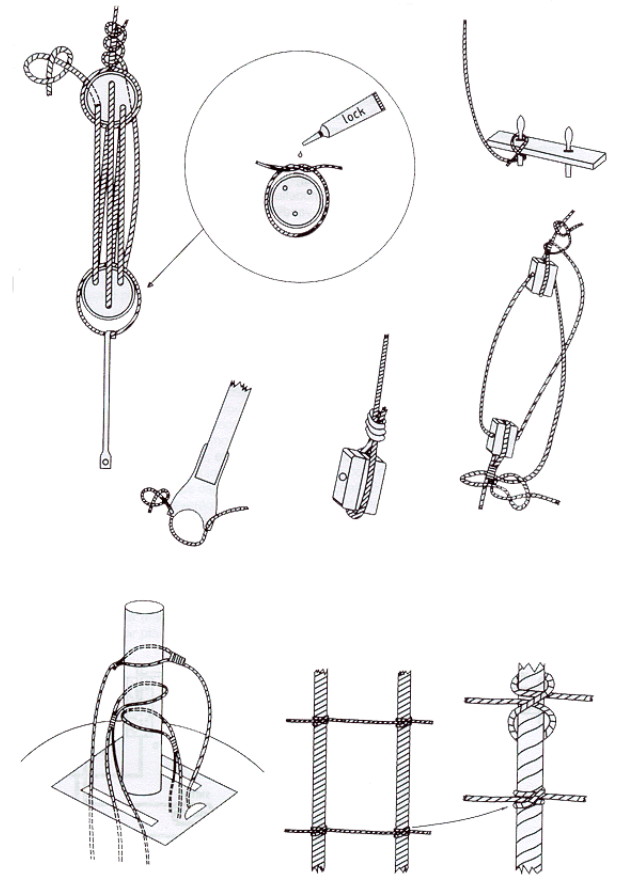
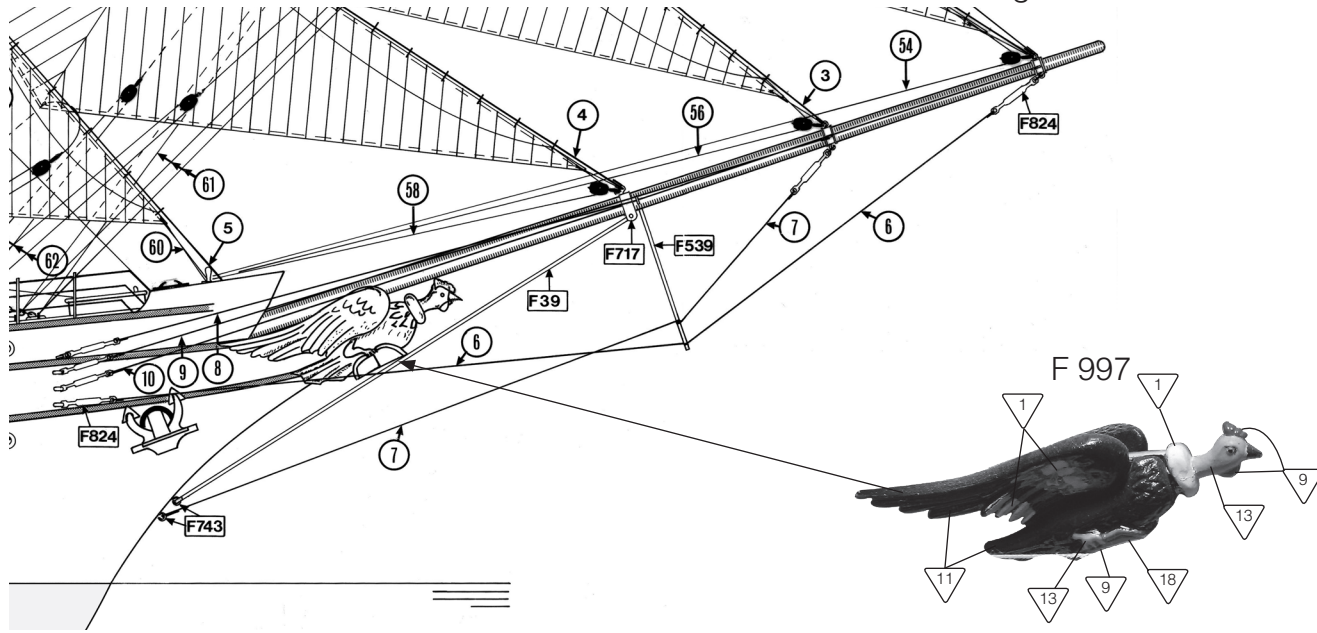


Fig. 23



Visit also
www.esmeralda.cl
 for more info

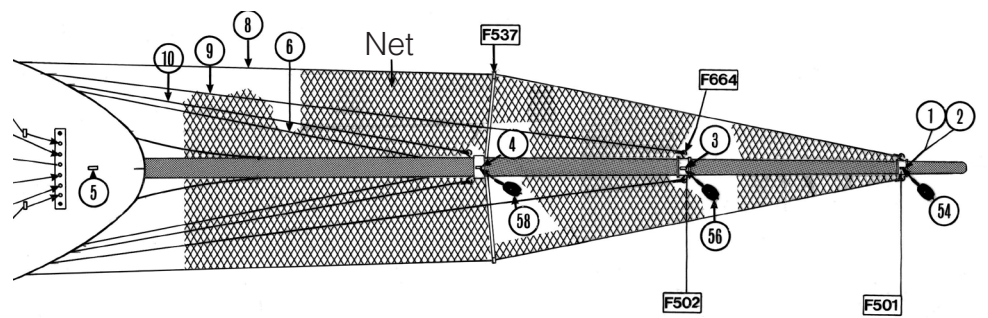
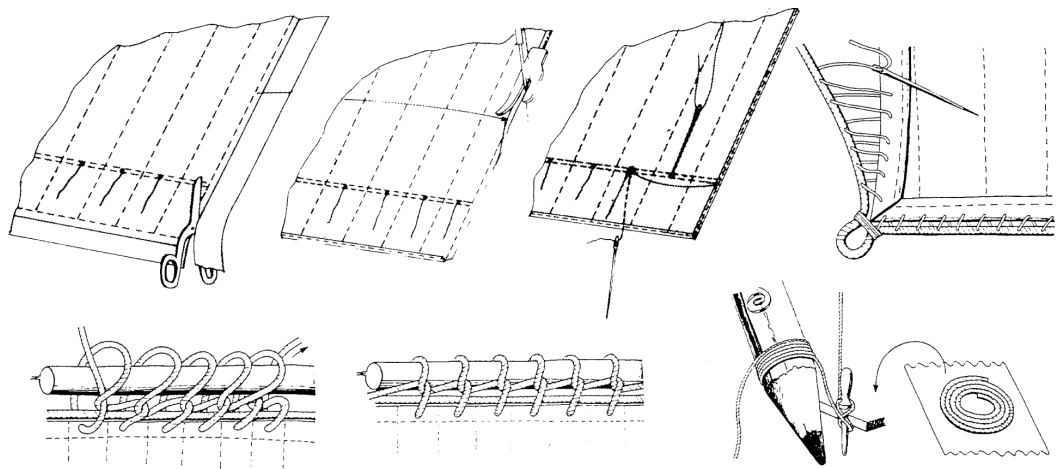


Fig. 24

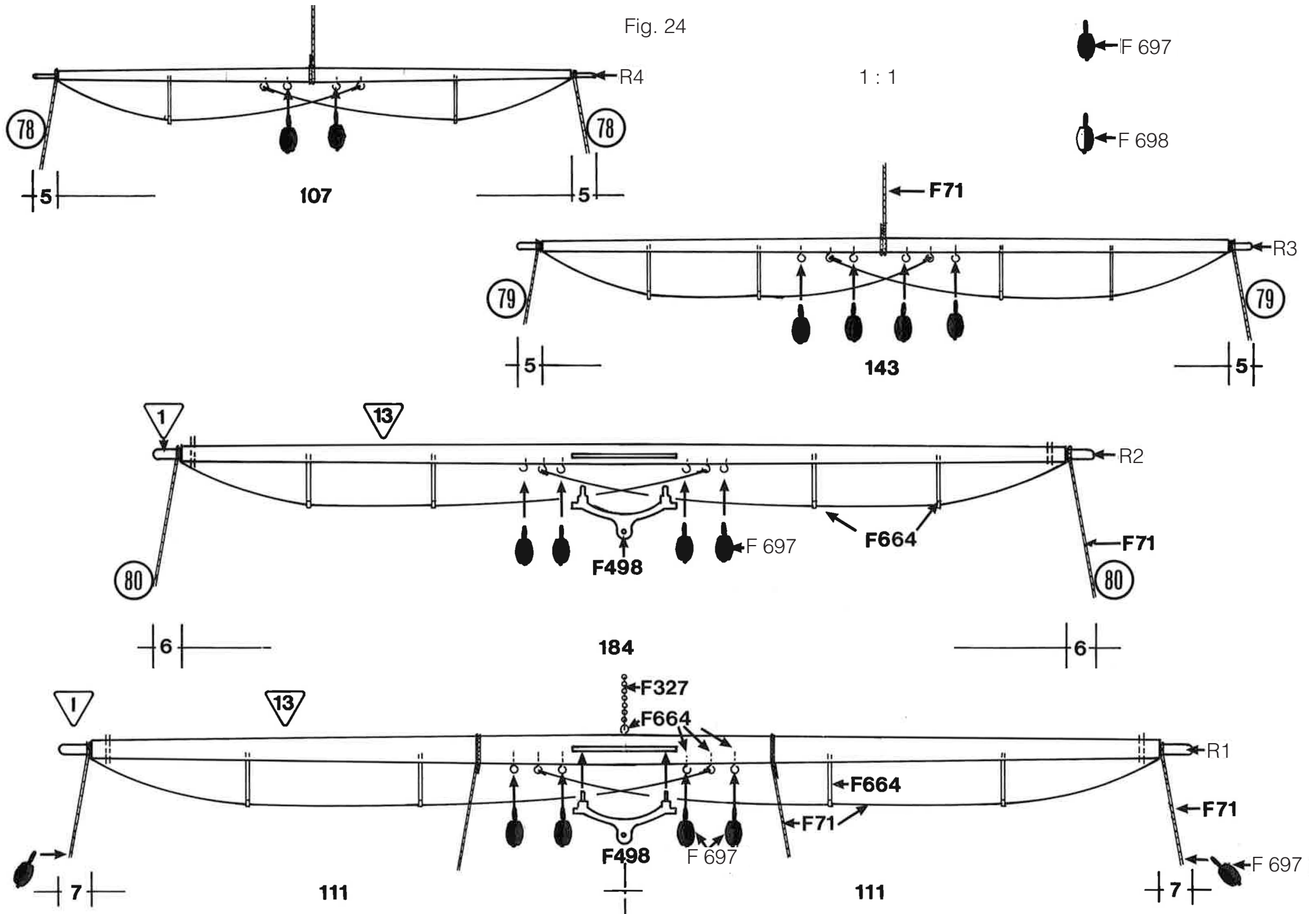
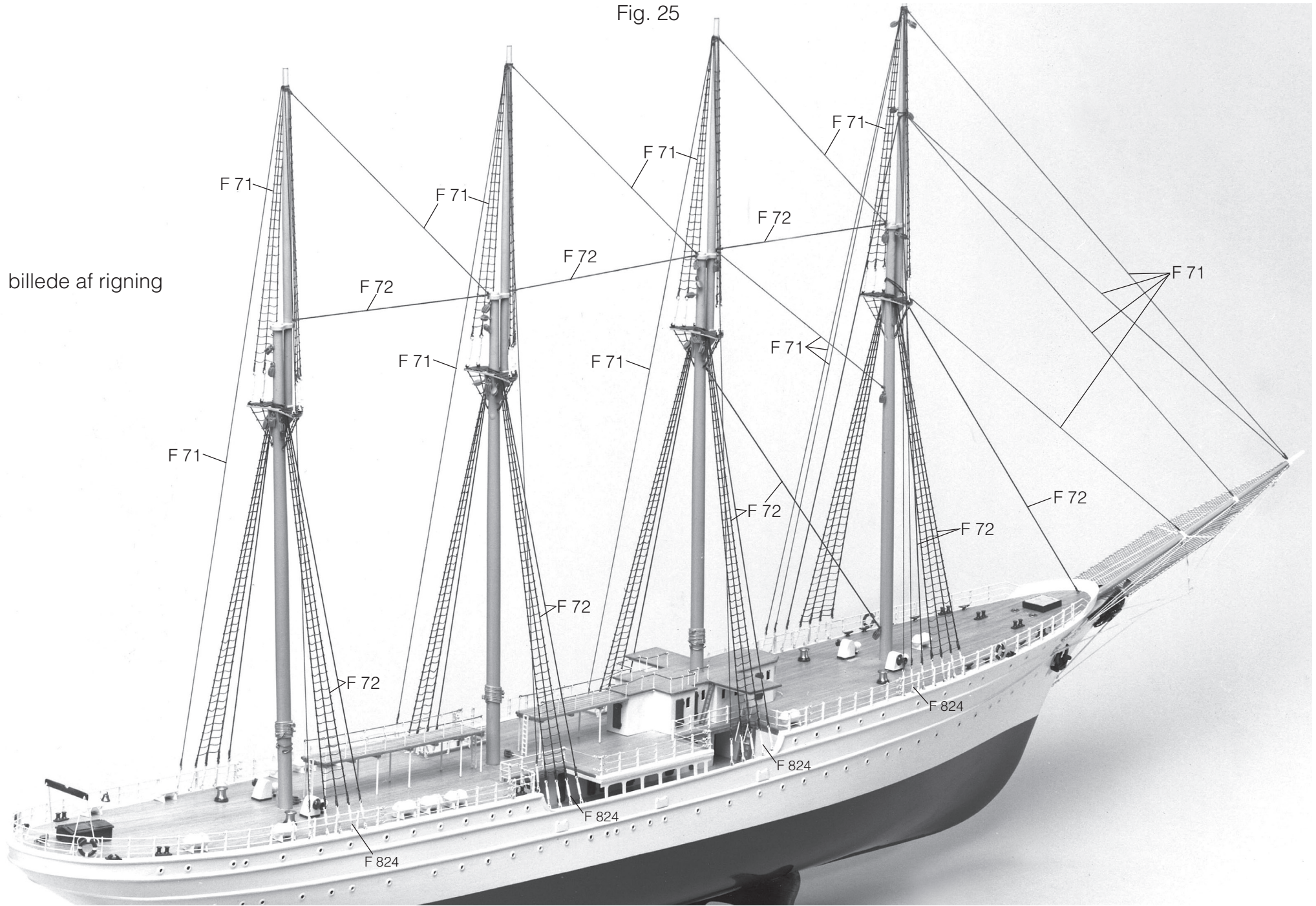


Fig. 25



billede af rigning

Fig. 26

RIGGING OVERVIEW

1	F 71	41	F 72	81	F 71
2	F 71	42	F 71	82	F 71
3	F 71	43	F 71	83	F 71
4	F 71	44	F 72	84	F 71
5	F 72	45	F 72	85	F 71
6	F 71	46	F 72	86	F 71
7	F 71	47	F 72	87	F 71
8	F 71	48	F 71	88	F 71
9	F 71	49	F 71	89	F 71
10	F 71	50	F 71	90	F 71
11	F 72	51	F 72	91	F 71
12	F 72	52	F 71	92	F 71
13	F 72	53	F 71	93	F 71
14	F 72	54	F 71	94	F 71
15	F 72	55	F 71	95	F 71
16	F 71	56	F 71	96	F 71
17	F 71	57	F 71	97	F 71
18	F 71	58	F 71	98	F 71
19	F 71	59	F 71	99	F 71
20	F 71	60	F 71	100	F 71
21	F 72	61	F 71	101	F 71
22	F 71	62	F 71	102	F 71
23	F 72	63	F 71	103	F 71
24	F 71	64	F 71	104	F 71
25	F 71	65	F 71	105	F 71
26	F 72	66	F 71	106	F 71
27	F 72	67	F 71	107	F 71
28	F 72	68	F 71	108	F 71
29	F 72	69	F 71	109	F 71
30	F 71	70	F 71	110	F 71
31	F 71	71	F 71	111	F 71
32	F 71	72	F 71	112	F 71
33	F 71	73	F 71	113	F 71
34	F 72	74	F 71	114	F 71
35	F 72	75	F 71	115	F 71
36	F 72	76	F 71	116	F 71
37	F 72	77	F 71	117	F 71
38	F 71	78	F 71	118	F 71
39	F 71	79	F 71	119	F 71
40	F 71	80	F 71	120	F 71
				121	F 71

