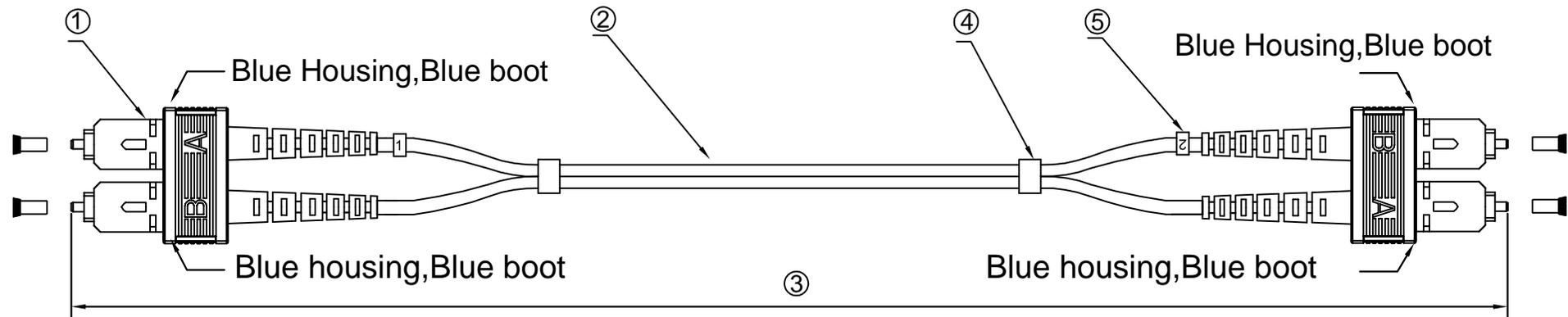


VERSION	DESCRIPTION	DRAWN/DATE	CHECK/DATE	APPROVAL/DATE
1.0	NEW RELEASE	Lei/2011/05/09	Michael/2011/05/09	Johnson/2011/05/09



Specification:

- 1.Connector Type: SC/PC singlemode
- 2.Cable Type:
Zipcord cable, ϕ 2.8mm. 9/125um , singlemode,
Cable Jacket : Yellow color, LSZH material
- 3.Length : xM
- 4.Shrink Tube
- 5.Cable Marker

Performance:

- a. Insertion Loss : <0.3 dB
- b. Return loss > 50 dB
- c. Ferrule End-face Radius : $10 < R < 30$ mm
- d. Apex Offset: < 50um
- e. Increase in insertion loss after 500 mating:0.2 dB Max.
- f. Operation Temperature :-20° to +70°
- g. Storage Temperature :-40° to +80°

Part Number	Length
FB-51S	1M
FB-52S	2M
FB-53S	3M
FB-55S	5M
FB-57S	7M
FB-510S	10M
FB-515S	15M
FB-5xxS	xxM

UNIT		TITLE	VERSION	
mm		DELTA CO fiberkablage SC - SC, duplex, singlemode ,XXmeters	1.0	
unless otherwise stated Tolerances mm XXX.XX ±0.3 XX.XX ±0.2 X.XX ±0.1 angular ±2°		P/N.	DRAWN BY	Leinazi
		MATERIAL	CHECK BY	Michael
		SCALE	PAGE 1/1	APPROVAL BY Johnson