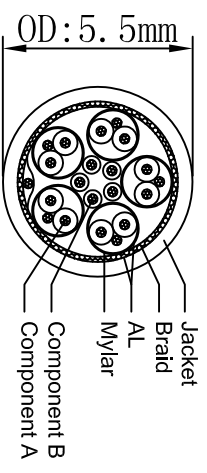
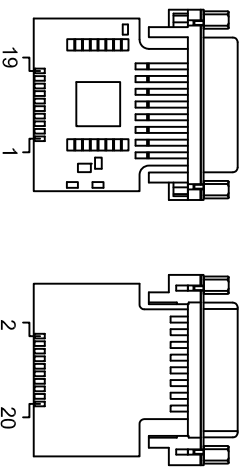
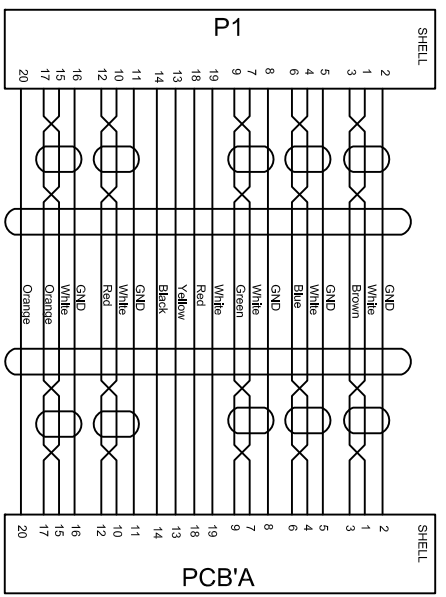
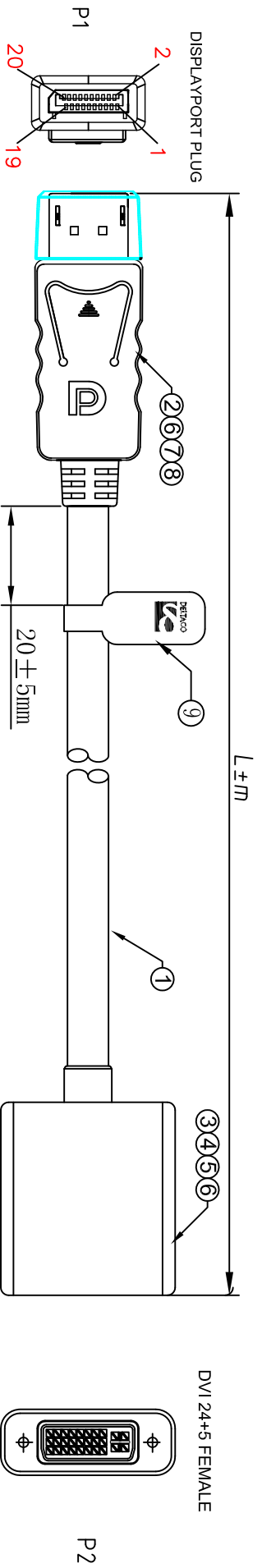


RoHS Compliant

REV	DESCRIPTION OF CHANGE	DATE
A	INITIAL RELEASE	2012-08-01



NXP PCB'A

- NOTES:
- ELECTRICAL PROPERTIES:
 - 1.1 100% open and short test.
 - 1.2 Conductor resistance: 5 OHMS
 - 1.3 Insulation resistance: 10 MEGOHMS
 - 1.4 Hi pot: DC300V/0.01S
 - 1.5 Audio & Video test, Output resolution: 1920*1080 P
 - All material be ROHS compliant.

NO.	Material name	Item number	Specifications Description	Quantity
9	tag	AM-R00171	Black background, White character (DP-DV114)	1 Pcs
8	PE	PE-0001	LDPE (RoHS)-PE101	1.50g
7	Dust cap	OR-0008	DP Dust cap	1 Pcs
6	PVC	PVC-0001	60P Black PVC	10.45g
5	Shell	SL-BK0133	VGA, DVI, HDMI Black Shell (Smooth)	1 Pcs
4	Lid	SL-BK0022	DVI Liack Top shell	1 Pcs
3	Connector	BM-F-022-GP-NX-1	DVI (P) 24+5 PCB A (NXP), gold-plated	1 Pcs
2	Bottom ABS Shell	SL-BK0055	DP (M) Black Shell, Bottom ABS Shell	1 Pcs
	Top ABS Shell	SL-BK0054	DP (M) Black Shell, Top ABS Shell	1 Pcs
1	Connector	CN-00010	DP (M), gold-plated	1 Pcs
	Cable	DP1-55-3207	UL20276 (32AWG*1P+D+AL/MY) *5C+32AWG*5C+MY/AL+BRALID, JACKET PVC BLACK, OD=5.5±0.20mm L=145+5/-0MM	1 Pcs

图号 (DWG NO)	XY-A0502	#数 (UNIT): MM	比例 (SCALE) 1:1	品名 (TITLE)	料号 (PART NO)
版次 (REV):	A0				DP to DVI Cable
页次 (PAGE):	1/1				
设计 (DESIGN)	Dean				
审核 (CHECKED)					
核准 (APPROVED)					

DESIGNER: X
 CHECKER: X
 APPROVE: X
 DATE: 2012-08-01
 SCALE: 1:1