

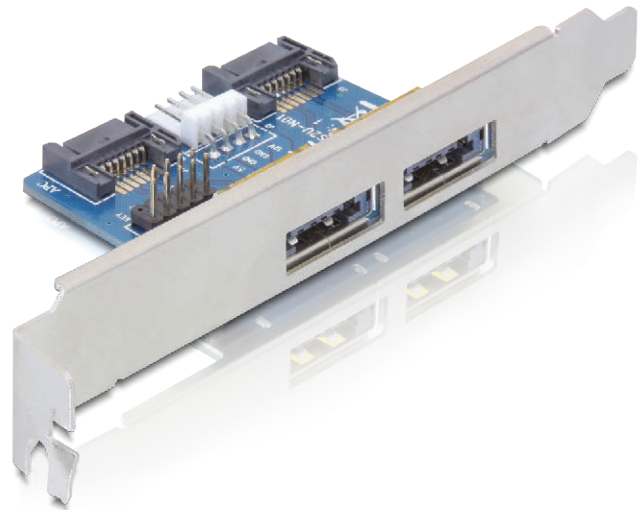
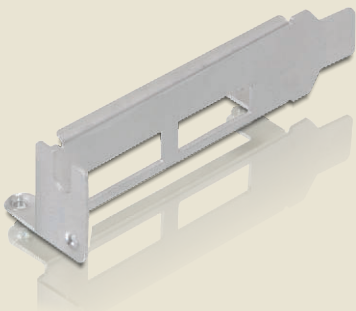


Slot bracket 2x eSATAp 5V/12V

Description

This slot bracket enables you to lead out the internal ports, in order to connect devices to the externally available eSATAp ports. The eSATAp port provides a voltage supply of 5V and 12V, thus you can connect also 2.5" and 3.5" HDDs to this interface, by using special Delock products, like eSATAp cable or docking stations.

Images



Ref. 61725
EAN 4043619617258

Specification

- Slot bracket for installation into a PC slot
- Internal: 1x 9-Pin USB, 2x SATA, 1x Power 4-Pin
- External: 2 x Power Over eSATA 5V/12V (eSATAp)
- Plug & Play
- OS independent, no driver installation required

System requirements

- PC with one free Slot
- Two internal SATA ports
- One internal USB port

Package content

- Slot bracket
- Low Profile Bracket
- 2x SATA cable
- USB cable
- Power cable
- User manual

Package

- Retail Box